

Spare parts catalogue 2019

CASTEL: the company and the products

Castel, a leading supplier of refrigeration and air conditioning components, is a 100% Italian-owned family-run company which has grown and established a name for itself since 1961, thanks to its outstanding pursuit of innovation and unwavering desire to conquer markets not only in Italy, but also abroad.

Mission

Supporting an increase in our customer base with reliable, durable, high quality and technologically-advanced products, manufactured with respect for the **environment**, and supported and improved upon by levels of service that exceed industry standards, in order to consolidate the Castel brand's presence in its existing markets, and make the brand known in emerging ones.

Castel is now present in more than 90 countries on 5 continents. In 2010, Castel opened an associated company in China, "Castel Refrigeration (Shanghai) Co., Ltd", to support development in these countries, creating a logistics and commercial development platform for the entire Asian continent and the Pacific. Recently, an associated company in the United

States, "Castel USA, Inc.", was established to support commercial and logistic development in the Americas.

Castel was one of the first Italian companies in the sector to obtain Business Quality System Certification issued by TÜV SÜD according to EN ISO 9001:2015 standard before subsequently receiving certification also for its Environmental Management System from TÜV SÜD according to EN ISO 14001:2015 standard. The company has also obtained several product certifications in conformity with European Directives and Certification Marks (e.g. VDE) and extra-European (e.g. "UL", "EAC") Quality Approvals.

Castel has dedicated constant attention for years to the evolution of the refrigerant market in adapting to international protocols aimed at reducing harmful emissions and global warming. The implementation in the European Union of the so-called F-Gas Regulation and similar legislation in important extra-European nations is leading to a progressive reduction and abandonment of many traditional refrigerants in favor of alternative synthetic or natural refrigerants.

In response to these developments in the market, in recent years Castel has progressively restructured its offer and is now proud to offer its clients this 2019 Catalog with the following lines of product:

POLYHEDRA

New products compatible with the widest possible range of refrigerants classified A1, A2L and A3 according to ASHRAE STANDARD 34-2019

CLASSIC

Traditional products featured in previous catalogs compatible with refrigerants classified A1 according to ASHRAE STANDARD 34-2019

GREEN

R744 • NATURAL REFRIGERANT

Products developed specifically for refrigerant R744 within the A1 security group according to ASHRAE STANDARD 34-2019

Table of contents

POLYHEDRA

PRODUCTS FOR REFRIGERANTS OF GROUPS A1, A2L, A3, ACCORDING TO ASHRAE STANDARD 34-2016

8	SOLENOID EXPANSION VALVES	15	INDICATORS
9	SOLENOID VALVES	16	FILTERS
14	CHECK VALVES	17	VALVES

CLASSIC

PRODUCTS FOR REFRIGERANTS OF GROUPS A1, ACCORDING TO ASHRAE STANDARD 34-2016

20	SOLENOID EXPANSION VALVES	27	INDICATORS
21	SOLENOID VALVES	28	FILTERS
26	CHECK VALVES	30	VALVES

GO GREEN

R744 • NATURAL REFRIGERANT

PRODUCTS FOR R744 REFRIGERANT

34	SOLENOID EXPANSION VALVES	38	FILTERS
35	SOLENOID VALVES	39	VALVES
37	INDICATORS		

PRODUCTS

EXPLODED DRAWINGS

44	FIGURES
----	---------





A1 - A2L - A3 REFRIGERANTS, ASHRAE STANDARD 34-2019 ^[#]

HFC (R134a, R32, R404A, R407C, R410A, R507)

HFO (R1234yf, R1234ze, R448A, R449A, R450A, R452A, R452B, R454B, R513A)

HC (R290, R600, R600a, R1270)



[#]

For specific applications with refrigerant fluids not listed above, please contact Castel Technical Department



SOLENOID EXPANSION VALVES

SPARE PARTS & KITS

Catalogue N°	Suitable for:	Spare Parts List	Pos.	Fig.	Note
9151N/R26	All PWM valves type 2028N/.. ; 2028EX/..	Plunger + spring	9	01	
		Filter	11		
		Nut/body O Ring	8		
9151N/R27	All PWM valves type 2028N/.. ; 2028EX/..	Armature	7	01	
		Plunger + spring	9		
		Filter	11		
		Nut/body O Ring	8		
		O Ring under coil	5		

GASKETS

Catalogue N°	Suitable for:	Spare Parts List	Pos.	Fig.	Note
113802	All PWM valve type 2028N/.. ; 2028EX/..	Nut/body O Ring	8	01	minimum order quantity 20 pieces

MISCELLANEA

Catalogue N°	Suitable for:	Spare Parts List	Pos.	Fig.	Note
113332	All PWM valves	O Ring under coil	5	01	minimum order quantity 20 pieces
G9150/R97	All PWM valves type : 2028N/..	Yellow nut for fixing coil	1	01	
		Black screw for fixing coil	2		
		O Ring for yellow nut	3		
G9151/R14	All PWM valves type : 2028EX/..	Blue nut for fixing coil	1	01	
		Black screw for fixing coil	3		
		O Ring for blue nut	2		

SOLENOID VALVES

SPARE PARTS & KITS

Catalogue N°	Suitable for:	Spare Parts List	Pos.	Fig.	Note
9150N/R07	All N.C. POLYHEDRA solenoid valves	Plunger	6	02	
		Plunger spring	5		
		Nut/body O Ring	7		
9150N/R70	All N.C. POLYHEDRA solenoid valves <i>(excluding valves listed in 9150N/R71)</i>	N.C. armature	4	02	
		Nut	3		
		O Ring under coil	2		
		Plunger	6		
		Plunger spring	5		
		Nut/body O Ring	7		
9150N/R71	N.C. solenoid valves type: 1064N/.. ; 1068N/.. 1064EX/.. ; 1068EX/.. Diaphragm pilot operated for: 1098N/9 ; 1099N/11 1078N/11 ; 1079N/13 - N/M42 1078N/13 - N/M42 ; 1079N/17 1098EX/9 ; 1099EX/11	Pre-assembled N.C. armature	3	03	
		O Ring under coil	2		
		Plunger	6		
		Plunger spring	5		
		Nut/body O Ring	4		
9150N/R08	N.C. diaphragm solenoid valves type: 1064N/.. ; 1068N/.. Diaphragm pilot operated for 1098N/9 ; 1099N/11 1078N/11 ; 1079N/13 - N/M42 1078N/13 - N/M42 ; 1079N/17	Diaphragm	7	03	
		Plunger	6		
		Plunger spring	5		
		Nut/body O Ring	4		
9151N/R28	N.C. piston solenoid valves type: 1034N/.. ; 1038N/..	Pre-assembled N.C. armature	3	04	
		O Ring under coil	2		
		Plunger	6		
		Plunger spring	5		
		Nut/body O Ring	4		
9150N/R81	N.C. piston solenoid valves type: 1034N/.. ; 1038N/..	Piston	7	04	
		Plunger	6		
		Plunger spring	5		
		Nut/body O Ring	4		
9150N/R09	N.C. diaphragm solenoid valves type: 1070N/4 - N/5 ; 1078N/4 - N/5 - N/M12 ; 1079N/7	Diaphragm	11	05	
		Plunger	6		
		Plunger spring	5		
		Cover/body screws	8		
9150N/R82	N.C. piston solenoid valves type: 1040N/4 - N/5 ; 1048N/4 - N/5 - N/M12 ; 1049N/7	Cover/body O Ring	10	06	
		Piston	11		
		Piston ring	12		
		Plunger	6		
		Plunger spring	5		
9151N/R04	N.C. diaphragm solenoid valves type: 1090N/5 - N/6 ; 1098N/5 - N/6 - N/7 ; 1099N/9	Cover/body screws	8	07	
		Cover/body O Ring	10		
		Diaphragm	11		
		Plunger	6		
		Plunger spring	5		
9150N/R50	N.C. piston solenoid valves type: 1050N/5 - N/6 ; 1058N/5 - N/6 - N/7 ; 1059N/9	Cover/body O Ring	10	08	
		Cover/body screws	8		
		Plunger spring	5		
		Plunger	6		
		Piston ring	12		
		Piston	11		

SOLENOID VALVES

SPARE PARTS & KITS

Catalogue N°	Suitable for:	Spare Parts List	Pos.	Fig.	Note
9150N/R11	N.C. diaphragm solenoid valves type: 1078N/9 ; 1079N/11	Diaphragm	12	09	
		Plunger	6		
		Plunger spring	5		
		Cover/body screws	8		
		Cover/body O Ring	10		
		Pilot O Ring	15		
		Nut/cover O Ring	16		
9150N/R43	Main piston pilot operated for N.C. solenoid valves type: 1098N/9 ; 1099N/11	Piston	14	10	
		Piston ring	15		
		Piston spring	13		
		Cover/body screws	9		
		Cover/body O Ring	16		
		Pilot O Ring	17		
		Nut/cover O Ring	10		
9150N/R39	Main piston pilot operated for N.C. solenoid valves type: 1078N/11 ; 1079N/13 - N/M42	Piston	14	10	
		Piston ring	15		
		Piston spring	13		
		Cover/body screws	9		
		Cover/body O Ring	16		
		Pilot O Ring	17		
		Nut/cover O Ring	10		
9150N/R83	Main piston pilot operated for N.C. solenoid valves type: 1078N/13 - N/M42 ; 1079N/17	Piston	14	10	
		Piston ring	15		
		Piston spring	13		
		Cover/body screws	9		
		Cover/body O Ring	16		
		Pilot O Ring	17		
		Nut/cover O Ring	10		
9151N/R29	N.C. solenoid valves type 1328N/..	Plunger with spring	5	11	
		N.C. armature	3		
		Nut/body O Ring	4		
9151N/R30	N.C. solenoid valves type 1338N/..	Plunger with spring	5	12	
		N.C. armature	3		
		Nut/body O Ring	5		
		Piston	6		
9150N/R35	N.O. diaphragm solenoid valves type: 1164N/.. ; 1168N/.. Diaphragm pilot operated for: 1198N/9 1178N/11 1178N/13 - N/M42	Pre-assembled armature with nuts	8	14	
		Diaphragm	10		
		O Ring under coil	7		
		Nut/body O Ring	9		
9150N/R84	N.O. piston solenoid valves type: 1134N/.. ; 1138N/..	Pre-assembled armature with nuts	8	15	
		Piston	10		
		O Ring under coil	7		
		Nut/body O Ring	9		
9150N/R34	N.O. diaphragm solenoid valves type: 1170N/4- N/5 ; 1178N/4 - N/5 - N/M12	N.O. armature group	9	16	
		Nut	8		
		O Ring under coil	7		
		Nut/cover O Ring	10		
		Diaphragm	14		
		Cover/body screws	11		
		Cover/body O Ring	13		

SOLENOID VALVES

SPARE PARTS & KITS

Catalogue N°	Suitable for:	Spare Parts List	Pos.	Fig.	Note
9150N/R85	N.O. piston solenoid valves type: 1140N/4 - N/5 ; 1148N/4 - N/5 - N/M12	N.O. armature group	9	17	
		Nut	8		
		O Ring under coil	7		
		Nut/cover O Ring	10		
		Piston	14		
		Piston ring	15		
		Cover/body screws	11		
		Cover/body O Ring	13		
9151N/R05	N.O. diaphragm solenoid valves type: 1190N/5 - N/6 ; 1198N/5 - N/6 - N/7	N.O. armature group	9	18	
		Nut	8		
		O Ring under coil	7		
		Nut/cover O Ring	10		
		Diaphragm	14		
		Cover/body screws	11		
		Cover/body O Ring	13		
9150N/R51	N.O. piston solenoid valves type: 1150N/5 - N/6 ; 1158N/5 - N/6 - N/7	N.O. armature group	9	19	
		Nut	8		
		O Ring under coil	7		
		Nut/cover O Ring	10		
		Piston	14		
		Piston ring	15		
		Cover/body screws	11		
Cover/body O Ring	13				
9150N/R42	N.O. diaphragm solenoid valves type: 1178N/9	N.O. armature group	9	20	
		Diaphragm	17		
		Cover/body screws	11		
		Nut	8		
		Pilot O Ring	19		
		Nut/cover O Ring	10		
		O Ring under coil	7		
Cover/body O Ring	15				
9150N/R43	Main piston pilot operated for N.O. solenoid valves type 1198N/9	Piston	17	21	
		Piston ring	18		
		Piston spring	16		
		Cover/body screws	12		
		Cover/body O Ring	19		
		Pilot O Ring	20		
		Nut/cover O Ring	15		
9150N/R39	Main piston pilot operated for N.O. solenoid valves type 1178N/11	Piston	17	21	
		Piston ring	18		
		Piston spring	16		
		Cover/body screws	12		
		Cover/body O Ring	19		
		Pilot O Ring	20		
		Nut/cover O Ring	15		
9150N/R83	Main piston pilot operated for N.O. solenoid valves type 1178N/13 - N/M42	Piston	17	21	
		Piston ring	18		
		Piston spring	16		
		Cover/body screws	12		
		Cover/body O Ring	19		
		Pilot O Ring	20		
		Nut/cover O Ring	15		



SOLENOID VALVES

GASKETS

Catalogue N°	Suitable for:	Spare Parts List	Pos.	Fig.	Note
113700	N.C. solenoid valves type: 1020N/.. ; 1028N/..	Nut/body O Ring	7	02	minimum order quantity 20 pieces
113701	N.C. diaphragm solenoid valves type: 1064N/.. ; 1068N/.. N.C. piston solenoid valves type: 1034N/.. ; 1038N/.. Diaphragm pilot operated for 1098N/9 ; 1099N/11 1078N/11 ; 1079N/13 - /M42 1078N/13 - /M42 ; 1079N/17	Nut/body O Ring	4	03 04 10	minimum order quantity 20 pieces
	N.O. diaphragm solenoid valves type: 1164N/.. ; 1168N/.. N.O. piston solenoid valves type: 1134N/.. ; 1138N/.. Diaphragm pilot operated for: 1198N/9 1178N/11 1178N/13 - /M42		9	14 15 21	
113804	N.C. diaphragm solenoid valves type: 1070N/4 - /5 ; 1078N/4 - /5 - /M12 ; 1079N/7 N.C. piston solenoid valves type: 1040N/4 - /5 ; 1048N/4 - /5 - /M12 ; 1049N/7	Cover/body O Ring	10	06	minimum order quantity 10 pieces
	N.O. diaphragm solenoid valves type: 1170N/4 - /5 ; 1178N/4 - /5 - /M12 N.O. piston solenoid valves type: 1140N/4 - /5 ; 1148N/4 - /5 - /M12		13	16 17	
113705	N.C. diaphragm solenoid valves type: 1090N/5 - /6 ; 1098N/5 - /6 - /7 ; 1099N/9 N.C. piston solenoid valves type: 1050N/5 - /6 ; 1058N/5 - /6 - /7 ; 1059N/9	Cover/body O Ring	10	07 08	minimum order quantity 10 pieces
	N.O. diaphragm solenoid valves type: 1190N/5 - /6 ; 1198N/5 - /6 - /7 N.O. piston solenoid valves type: 1150N/5 - /6 ; 1158N/5 - /6 - /7		13	18 19	
	Main piston pilot operated for N.C. solenoid valves type: 1098N/9 ; 1099N/11		16	10	
	Main piston pilot operated for N.O. solenoid valves type 1198N/9		19	21	
113810	N.C. diaphragm solenoid valves type: 1078N/9 ; 1079N/11	Cover/body O Ring	10	09	minimum order quantity 5 pieces
	N.O. diaphragm solenoid valves type 1178N/9		15	20	
113809	Main piston pilot operated for N.C. solenoid valves type: 1078N/11 ; 1079N/13 - /M42	Cover/body O Ring	16	10	minimum order quantity 5 pieces
	Main piston pilot operated for N.O. solenoid valves type 1178N/11		19	21	
113811	Main piston pilot operated for N.C. solenoid valves type: 1078N/13 - /M42 ; 1079N/17	Cover/body O Ring	16	10	minimum order quantity 5 pieces
	Main piston pilot operated for N.O. solenoid valves type: 1178N/13 - /M42		19	21	
113802	N.C. solenoid valves type 1328N/..	Nut/body O Ring	4	11	minimum order quantity 10 pieces
113701	N.C. solenoid valves type 1338N/..	Nut/body O Ring	4	12	minimum order quantity 10 pieces

SOLENOID VALVES

MISCELLANEA

Catalogue N°	Suitable for:	Spare Parts List	Pos.	Fig.	Note
113332	All the N.C. solenoid valves	O Ring under coil	2	02	minimum order quantity 20 pieces
004238	All the N.O. solenoid valves	O Ring under coil	7	14	minimum order quantity 20 pieces
G9150/R97	All the N.C. solenoid valves with coils type HM2 , CM2 , HM3 e HM4	Yellow nut for fixing coil	9	02	
		Black screw for fixing coil	10		
		O Ring for yellow nut	11		
G9151/R14	All the N.C. solenoid valves with ATEX coils type HM2 , CM2	Blu nut for fixing coil	9a	02	
		Black screw for fixing coil	10a		
		O Ring for blu nut	11a		
G9151/R47	All the N.O. solenoid valves	Yellow nut for fixing coil	1	14	
		O Ring for yellow nut	2		
		Black screw for fixing coil	3		
		Red ring fpr fixing coil	4		
		O Ring for red ring	5		
G9150/R06	All N.C.solenoid valves up to 1049N/7 - 1079N/7	Bracket	12	02	
	All N.O.solenoid valves up to 1148N/5 - 1178N/5	Screw	13		

CHECK VALVES

SPARE PARTS & KITS

Catalogue N°	Suitable for:	Spare Parts List	Pos.	Fig.	Note
9151/R33	Check valves type: 3124N/7 - /9 - /M22 - /M28	Cover/body O Ring	2	27	
		Spring	3		
		Piston	4		
9151/R34	Check valves type: 3125N/7 - /9 - /M22 - /M28	Cover/body O Ring	2	27	
		Spring	3		
		Piston	4		
9151/R35	Check valves type 3124N/11	Cover/body O Ring	2	27	
		Spring	3		
		Piston	4		
9151/R36	Check valves type 3125N/11	Cover/body O Ring	2	27	
		Spring	3		
		Piston	4		
9151/R37	Check valves type 3124N/13 - /M42	Cover/body O Ring	2	27	
		Spring	3		
		Piston	4		
9151/R38	Check valves type 3125N/13 - /M42	Cover/body O Ring	2	27	
		Spring	3		
		Piston	4		
9151/R39	Check valves type 3124N/17	Cover/body O Ring	2	27	
		Spring	3		
		Piston	4		
9151/R40	Check valves type 3125N/17	Cover/body O Ring	2	27	
		Spring	3		
		Piston	4		

GASKETS

Catalogue N°	Suitable for:	Spare Parts List	Pos.	Fig.	Note
113703	Check valves type: 3124N/7 - /9 - /M22 - /M28 3125N/7 - /9 - /M22 - /M28	Cover/body O Ring	2	27	minimum order quantity 20 pieces
113704	Check valves type: 3124N/11 - 3125N/11	Cover/body O Ring	2	27	minimum order quantity 10 pieces
113735	Check valves type: 3124N/13 - /M42 3125N/13 - /M42	Cover/body O Ring	2	27	minimum order quantity 10 pieces
113736	Check valves type: 3124N/17 - 3125N/17	Cover/body O Ring	2	27	minimum order quantity 5 pieces

INDICATORS

SPARE PARTS & KITS

Catalogue N°	Suitable for:	Spare Parts List	Pos.	Fig.	Note
9150/R94	Liquid indicators type 3680/..	Protection cap	1	29	
		Nut	2		
		Nut/body O Ring	3		
		Ball	4		
		Net	5		
9151/R41	Moisture-liquid indicators type 3780N/..	Pre-assembled nut	1	28	
		Protection cap	2		
		Nut/body O Ring	3		
	Filter driers with indicator type: 4105N/.. ; 4108N/.. ; 4116N/.. ; 4132N/..	Pre-assembled nut	1	30	
		Protection cap	2		
		Nut/body O Ring	3		

GASKETS

Catalogue N°	Suitable for:	Spare Parts List	Pos.	Fig.	Note
113701	Liquid indicators type: 3680/.. Moisture-liquid indicators type: 3780N/.. Filter driers with indicator type: 4105N/.. ; 4108N/.. ; 4116N/.. ; 4132N/..	Nut/body O Ring	3	28 29 30	minimum order quantity 20 pieces

FILTERS

SPARE PARTS & KITS

Catalogue N°	Suitable for:	Spare Parts List	Pos.	Fig.	Note
G9150N/R05	Filters with replaceable block type: 4411/..F ; 4412/..F	Cap with gasket	1	32	
		Valve core	2		
		Access fitting	3		
7520/2	Filters with replaceable block type: 4411/..F ; 4412/..F	Nut 1/4 NPT	1	31	
003319	Filters with replaceable block type: 4411/..F ; 4412/..F	Spring	5	31	
			7	32	
112160	Filters with replaceable block type: 4411/..F ; 4412/..F	Aluminium threaded cover 1/4 " NPT	3	31	
			5	32	
112162	Filters with replaceable block type: 4411/..F ; 4412/..F	Aluminium blind cover			
G9150/R59	Filters with replaceable block type: 4411/..F ; 4412/..F	N° 8 screws M8x30 - 8.8	2	31	
G9150/R60	Filters with replaceable block type: 4411/..CF	N° 8 stainless steel screws M8x30	4	32	
007677	Filters with replaceable block type: 4411/..F ; 4412/..F	Filtering tube for two blocks	7	31	
007678		Filtering tube for one block	8	31	
9151/R01	Filters with replaceable block type: 4411/..F ; 4412/..F	Dehydrating block top	6	31	
		Dehydrating block bottom	9		
		Cover gasket	4		
9151/R02	Filters with replaceable block type: 4411/..CF	Mechanical block top	8	32	
		Mechanical block bottom	9		
		Cover gasket	6		

GASKETS

Catalogue N°	Suitable for:	Spare Parts List	Pos.	Fig.	Note
110968	Filters with replaceable block type: 4411/..F ; 4412/..F	Cover gasket	4	31	minimum order quantity 20 pieces
			5	32	

VALVES

SPARE PARTS & KITS

Catalogue N°	Suitable for:	Spare Parts List	Pos.	Fig.	Note
CHANGEOVER VALVES					
008281	Changeover valve 3032N/32 ; 3032N/33 3032N/44 ; 3032N/64 ; 3032N/66	Cap	6	35	
			4	36	
009490	Changeover valve 3032N/88 ; 3032N/108	Cap	4	36	
SHUT-OFF VALVES					
111602	Ball shut-off valves 3064N/22 ; 3064N/33 3064/44	Cap	1	37	
111635	Ball shut-off valves 3064N/88	Cap	1	37	
HERMETIC VALVES					
113567	Hermetic valves type 6010N/.. ; 6012N/..	Cap	1	38	
RECEIVER VALVES					
113567	Receiver valves type: 6110N/21 - /22 - /23 - /32 - /33 /X13 - /X15 6120N/22 - /23 - /32 - /33	Cap	1	39	
009036	Receiver valves type: 6110N/43 - /44 6120N/43 - /44	Cap	1	39	
CAPPED VALVES					
113567	6420N/..	Cap	1	42	
BALL VALVES					
111602	Ball valves type: 6570N/2 - /3 - /4 - /5 - /6 - /M6 - /M10 - / M12 - /M15 - /M18 6570N/2A - /3A - /4A - /5A - /6A - /M6A - /M10A - /M12A - /M15A - /M18A	Cap	1	44	
111635	Ball valves type: 6570N/7 - /9 - /M28 6570N/7A - /9A - /M28A	Cap	1	44	
			1	44	
112348	Ball valves type: 6590N/11 - /13 - /M42 6590N/11A - /13A - /M42A	Cap	1	44	
112350	Ball valves type: 6590N/17 - /17A	Cap	1	44	
9151/R11	Ball valves type: 6570N/M64A - /21A	Cap with gasket	1	44	
9151/R12	Ball valves type: 6570N/24A - /25A - /28A - /29A	Cap with gasket	1	44	

GASKETS

Catalogue N°	Suitable for:	Spare Parts List	Pos.	Fig.	Note
CHANGEOVER VALVES					
113801	Changeover valve 3032N/32 ; 3032N/33 3032N/44	Connection/body O-Ring	2	35	minimum order quantity 20 pieces
113899	Changeover valve 3032N/32 ; 3032N/33 3032N/44	Elbow/body O-Ring	5	35	minimum order quantity 10 pieces
113702	Changeover valve 3032N/64 ; 3032N/66	Elbow/body O-Ring	3	36	minimum order quantity 10 pieces
113703	Changeover valve 3032N/88 ; 3032N/108	Elbow/body O-Ring	3	36	minimum order quantity 10 pieces
CAPPED VALVES					
113932	Capped valves type: 6420N/2 - /3 - /3S3 - /4	Nipple/body O-Ring	3	42	minimum order quantity 20 pieces
BALL VALVES					
000530	Ball valves type: 6590N/11 - /13 - /M42 6590N/11A - /13A - /M42A	Cap gasket	2	44	minimum order quantity 20 pieces
009754	Ball valves type: 6590N/17 - /17A	Cap gasket	2	44	minimum order quantity 20 pieces



AI REFRIGERANTS, ASHRAE STANDARD 34-2019 ^[#]

HCFC (R22)

HFC (R134a, R404A, R407C, R410A, R507)

HFO (R1234ze, R448A, R449A, R450A, R452A, R513A)



[#]

For specific applications with refrigerant fluids not listed above, please contact Castel Technical Department

SOLENOID EXPANSION VALVES

SPARE PARTS & KITS

Catalogue N°	Suitable for:	Spare Parts List	Pos.	Fig.	Note
9151/R26	All PWM valves type 2028/..	Plunger + spring	9	01	
		Filter	11		
		Nut/body O Ring	8		
9151/R27	All PWM valves type 2028/..	Armature	7	01	
		Plunger + spring	9		
		Filter	11		
		Nut/body O Ring	8		
		O Ring under coil	5		

GASKETS

Catalogue N°	Suitable for:	Spare Parts List	Pos.	Fig.	Note
004265	All PWM valve type 2028/..	Nut/body O Ring	8	01	minimum order quantity 20 pieces

MISCELLANEA

Catalogue N°	Suitable for:	Spare Parts List	Pos.	Fig.	Note
113332	All PWM valves	O Ring under coil	5	01	minimum order quantity 20 pieces
G9150/R97	All PWM valves type : 2028/..	Yellow nut for fixing coil	1	01	
		Black screw for fixing coil	2		
		O Ring for yellow nut	3		

SOLENOID VALVES

SPARE PARTS & KITS

Catalogue N°	Suitable for:	Spare Parts List	Pos.	Fig.	Note
9150/R07	All N.C. CLASSIC solenoid valves	Plunger	6	02	
		Plunger spring	5		
		Nut/body O Ring	7		
9150/R70	All N.C. CLASSIC solenoid valves (excluding valves listed in 9150/R71)	N.C. armature	4	02	
		Nut	3		
		O Ring under coil	2		
		Plunger	6		
		Plunger spring	5		
		Nut/body O Ring	7		
9150/R71	N.C. solenoid valves type: 1064/.. ; 1068/.. Diaphragm pilot operated for: 1098/9 ; 1099/11 1078/11 ; 1079/13 - /M42 1078/13 - /M42 ; 1079/17	Pre-assembled N.C. armature	3	03	
		O Ring under coil	2		
		Plunger	6		
		Plunger spring	5		
		Nut/body O Ring	4		
9150/R08	N.C. diaphragm solenoid valves type: 1064/.. ; 1068/.. Diaphragm pilot operated for 1098/9 ; 1099/11 1078/11 ; 1079/13 - /M42 1078/13 - /M42 ; 1079/17	Diaphragm	7	03	
		Plunger	6		
		Plunger spring	5		
		Nut/body O Ring	4		
9151/R28	N.C. piston solenoid valves type: 1034/.. ; 1038/..	Pre-assembled N.C. armature	3	04	
		O Ring under coil	2		
		Plunger	6		
		Plunger spring	5		
		Nut/body O Ring	4		
9150/R81	N.C. piston solenoid valves type: 1034/.. ; 1038/..	Piston	7	04	
		Plunger	6		
		Plunger spring	5		
		Nut/body O Ring	4		
9150/R09	N.C. diaphragm solenoid valves type: 1070/4 - /5 ; 1078/4 - /5 - /M12 ; 1079/7	Diaphragm	11	05	
		Plunger	6		
		Plunger spring	5		
		Cover/body screws	8		
		Cover/body O Ring	10		
9150/R82	N.C. piston solenoid valves type: 1040/4 - /5 ; 1048/4 - /5 - /M12 ; 1049/7	Piston	11	06	
		Piston ring	12		
		Plunger	6		
		Plunger spring	5		
		Cover/body screws	8		
		Cover/body O Ring	10		
9151/R04	N.C. diaphragm solenoid valves type: 1090/5 - /6 ; 1098/5 - /6 - /7 ; 1099/9 (It replaces spare parts 9150/R38 e 9150/R48)	Diaphragm	11	07	
		Plunger	6		
		Plunger spring	5		
		Cover/body screws	8		
		Cover/body O Ring	10		
9150/R50	N.C. piston solenoid valves type: 1050/5 - /6 ; 1058/5 - /6 - /7 ; 1059/9	Piston	11	08	
		Piston ring	12		
		Plunger	6		
		Plunger spring	5		
		Cover/body screws	8		
		Cover/body O Ring	10		

CLASSIC

SOLENOID VALVES

SPARE PARTS & KITS

CLASSIC

Catalogue N°	Suitable for:	Spare Parts List	Pos.	Fig.	Note
9150/R11	N.C. diaphragm solenoid valves type: 1078/9 ; 1079/11	Diaphragm	12	09	
		Plunger	6		
		Plunger spring	5		
		Cover/body screws	8		
		Cover/body O Ring	10		
		Pilot O Ring	15		
		Nut/cover O Ring	16		
9150/R43	Main piston pilot operated for N.C. solenoid valves type: 1098/9 ; 1099/11	Piston	14	10	
		Piston ring	15		
		Piston spring	13		
		Cover/body screws	9		
		Cover/body O Ring	16		
		Pilot O Ring	17		
		Nut/cover O Ring	10		
9150/R39	Main piston pilot operated for N.C. solenoid valves type: 1078/11 ; 1079/13 - /M42	Piston	14	10	
		Piston ring	15		
		Piston spring	13		
		Cover/body screws	9		
		Cover/body O Ring	16		
		Pilot O Ring	17		
9150/R83	Main piston pilot operated for N.C. solenoid valves type: 1078/13 - /M42 ; 1079/17	Piston	14	10	
		Piston ring	15		
		Piston spring	13		
		Cover/body screws	9		
		Cover/body O Ring	16		
		Pilot O Ring	17		
		Nut/cover O Ring	10		
9150/R35	N.O. diaphragm solenoid valves type: 1164/.. ; 1168/.. Diaphragm pilot operated for: 1198/9 1178/11 1178/13 - /M42	Pre-assembled armature with nuts	8	14	
		Diaphragm	10		
		O Ring under coil	7		
		Nut/body O Ring	9		
9150/R84	N.O. piston solenoid valves type: 1134/.. ; 1138/..	Pre-assembled armature with nuts	8	15	
		Piston	10		
		O Ring under coil	7		
		Nut/body O Ring	9		
9150/R34	N.O. diaphragm solenoid valves type: 1170/4- /5 ; 1178/4 - /5 - /M12	N.O. armature group	9	16	
		Nut	8		
		O Ring under coil	7		
		Nut/cover O Ring	10		
		Diaphragm	14		
		Cover/body screws	11		
		Cover/body O Ring	13		

SOLENOID VALVES

SPARE PARTS & KITS

Catalogue N°	Suitable for:	Spare Parts List	Pos.	Fig.	Note
9150/R85	N.O. piston solenoid valves type: 1140/4 - /5 ; 1148/4 - /5 - /M12	N.O. armature group	9	17	
		Nut	8		
		O Ring under coil	7		
		Nut/cover O Ring	10		
		Piston	14		
		Piston ring	15		
		Cover/body screws	11		
		Cover/body O Ring	13		
9151/R05	N.O. diaphragm solenoid valves type: 1190/5 - /6 ; 1198/5 - /6 - /7 [It replaces spare parts 9150/R40 e 9150/R49]	N.O. armature group	9	18	
		Nut	8		
		O Ring under coil	7		
		Nut/cover O Ring	10		
		Diaphragm	14		
		Cover/body screws	11		
		Cover/body O Ring	13		
		9150/R51	N.O. piston solenoid valves type: 1150/5 - /6 ; 1158/5 - /6 - /7		
Nut	8				
O Ring under coil	7				
Nut/cover O Ring	10				
Piston	14				
Piston ring	15				
Cover/body screws	11				
Cover/body O Ring	13				
9150/R42	N.O. diaphragm solenoid valves type: 1178/9	N.O. armature group	9	20	
		Diaphragm	17		
		Cover/body screws	11		
		Nut	8		
		Pilot O Ring	19		
		Nut/cover O Ring	10		
		O Ring under coil	7		
		Cover/body O Ring	15		
9150/R43	Main piston pilot operated for N.O. solenoid valves type 1198/9	Piston	17	21	
		Piston ring	18		
		Piston spring	16		
		Cover/body screws	12		
		Cover/body O Ring	19		
		Pilot O Ring	20		
		Nut/cover O Ring	15		
9150/R39	Main piston pilot operated for N.O. solenoid valves type 1178/11	Piston	17	21	
		Piston ring	18		
		Piston spring	16		
		Cover/body screws	12		
		Cover/body O Ring	19		
		Pilot O Ring	20		
		Nut/cover O Ring	15		
9150/R83	Main piston pilot operated for N.O. solenoid valves type 1178/13 - /M42	Piston	17	21	
		Piston ring	18		
		Piston spring	16		
		Cover/body screws	12		
		Cover/body O Ring	19		
		Pilot O Ring	20		
		Nut/cover O Ring	15		

SOLENOID VALVES

GASKETS

Catalogue N°	Suitable for:	Spare Parts List	Pos.	Fig.	Note
004254	N.C. solenoid valves type: 1020/.. ; 1028/..	Nut/body O Ring	7	02	minimum order quantity 20 pieces
004259	N.C. diaphragm solenoid valves type: 1064/.. ; 1068/.. N.C. piston solenoid valves type: 1034/.. ; 1038/.. Diaphragm pilot operated for 1098/9 ; 1099/11 1078/11 ; 1079/13 - /M42 1078/13 - /M42 ; 1079/17	Nut/body O Ring	4	03 04 10	minimum order quantity 20 pieces
	N.O. diaphragm solenoid valves type: 1164/.. ; 1168/.. N.O. piston solenoid valves type: 1134/.. ; 1138/.. Diaphragm pilot operated for: 1198/9 1178/11 1178/13 - /M42		9	14 15 21	
004257	N.C. diaphragm solenoid valves type: 1070/4 - /5 ; 1078/4 - /5 - /M12 ; 1079/7 N.C. piston solenoid valves type: 1040/4 - /5 ; 1048/4 - /5 - /M12 ; 1049/7	Cover/body O Ring	10	06	minimum order quantity 10 pieces
	N.O. diaphragm solenoid valves type: 1170/4 - /5 ; 1178/4 - /5 - /M12 N.O. piston solenoid valves type: 1140/4 - /5 ; 1148/4 - /5 - /M12		13	16 17	
004251	N.C. diaphragm solenoid valves type: 1090/5 - /6 ; 1098/5 - /6 - /7 ; 1099/9 N.C. piston solenoid valves type: 1050/5 - /6 ; 1058/5 - /6 - /7 ; 1059/9	Cover/body O Ring	10	07 08	minimum order quantity 10 pieces
	N.O. diaphragm solenoid valves type: 1190/5 - /6 ; 1198/5 - /6 - /7 N.O. piston solenoid valves type: 1150/5 - /6 ; 1158/5 - /6 - /7		13	18 19	
	Main piston pilot operated for N.C. solenoid valves type: 1098/9 ; 1099/11		16	10	
	Main piston pilot operated for N.O. solenoid valves type 1198/9		19	21	
004253	N.C. diaphragm solenoid valves type: 1078/9 ; 1079/11	Cover/body O Ring	10	09	minimum order quantity 5 pieces
	N.O. diaphragm solenoid valves type 1178/9		15	20	
004691	Main piston pilot operated for N.C. solenoid valves type: 1078/11 ; 1079/13 - /M42	Cover/body O Ring	16	10	minimum order quantity 5 pieces
	Main piston pilot operated for N.O. solenoid valves type 1178/11		19	21	
008002	Main piston pilot operated for N.C. solenoid valves type: 1078/13 - /M42 ; 1079/17	Cover/body O Ring	16	10	minimum order quantity 5 pieces
	Main piston pilot operated for N.O. solenoid valves type: 1178/13 - /M42		19	21	

SOLENOID VALVES

MISCELLANEA

Catalogue N°	Suitable for:	Spare Parts List	Pos.	Fig.	Note
113332	All the N.C. solenoid valves	O Ring under coil	2	02	minimum order quantity 20 pieces
004238	All the N.O. solenoid valves	O Ring under coil	7	14	minimum order quantity 20 pieces
G9150/R97	All the N.C. solenoid valves with coils type HM2 , CM2 , HM3 e HM4	Yellow nut for fixing coil	9	02	
		Black screw for fixing coil	10		
		O Ring for yellow nut	11		
G9151/R47	All the N.O. solenoid valves	Yellow nut for fixing coil	1	14	
		O Ring for yellow nut	2		
		Black screw for fixing coil	3		
		Red ring for fixing coil	4		
		O Ring for red ring	5		
G9150/R06	All N.C. solenoid valves up to 1049/7 - 1079/7	Bracket	12	02	
	All N.O. solenoid valves up to 1148/5 - 1178/5	Screw	13		
GP VALVES					
9150/R15	Solenoid valves type: 1512/.. 1522/..	Plunger	6	22	
		Plunger spring	5		
		Nut/body O Ring	7		
9150/R12	Solenoid valves type: 1132/03 - /04	Plunger	6	23	
		Plunger spring	5		
		Nut/body O Ring	7		
		Diaphragm	11		
		Cover/body O Ring	10		
		Cover/body screws	8		
9150/R13	Solenoid valves type: 1132/06 - /08	Plunger	6	24	
		Plunger spring	5		
		Nut/body O Ring	7		
		Diaphragm	10		
		Cover/body screws	8		
9150/R14	Solenoid valves type: 1142/010 - /012	Plunger	6	25	
		Plunger spring	5		
		Nut/cover O Ring	7		
		Diaphragm	13		
		No 2 pilot O Rings	14		
		Cover/body screws	8		

CHECK VALVES

SPARE PARTS & KITS

Catalogue N°	Suitable for:	Spare Parts List	Pos.	Fig.	Note
9150/R52	Check valves type: 3122/7 - /9 - /M22 - /M28 3142/7 - /9 - /M28 3182/7 - /9 - /M28	Cover/body screws	1	26	
		Cover/body rubber-metallic gasket	3		
		Piston	5		
		Spring	4		
9150/R53	Check valves type: 3122/11 3142/11 3182/11	Cover/body screws	1	26	
		Cover/body rubber-metallic gasket	3		
		Piston	5		
		Spring	4		
9150/R54	Check valves type: 3122/13 - /M42 3142/13 - /M42	Cover/body screws	1	26	
		Cover/body rubber-metallic gasket	3		
		Piston	5		
		Spring	4		
9150/R55	Check valves type: 3122/17 3142/17 - /21 - /25 3182/13 - /M42 - /17	Cover/body screws	1	26	
		Cover/body rubber-metallic gasket	3		
		Piston	5		
		Spring	4		

GASKETS

Catalogue N°	Suitable for:	Spare Parts List	Pos.	Fig.	Note
111082	Check valves type: 3122/7 - /9 - /M22 - /M28 3142/7 - /9 - /M28 3182/7 - /9 - /M28	Cover/body rubber-metallic gasket	3	26	minimum order quantity 20 pieces
111083	Check valves type: 3122/11 3142/11 3182/11	Cover/body rubber-metallic gasket	3	26	minimum order quantity 10 pieces
111084	Check valves type: 3122/13 - /M42 3142/13 - /M42	Cover/body rubber-metallic gasket	3	26	minimum order quantity 10 pieces
111085	Check valves type: 3122/17 3142/17 - /21 - /25 3182/13 - /M42 - /17	Cover/body rubber-metallic gasket	3	26	minimum order quantity 5 pieces

INDICATORS

SPARE PARTS & KITS

Catalogue N°	Suitable for:	Spare Parts List	Pos.	Fig.	Note
9150/R20	Liquid indicators type 3620/..	Protection cap	1	28	
		Nut	2		
		Nut/body O Ring	3		
9150/R21	Moisture - liquid indicators type: 3770/.. ; 3771/.. ; 3780/.. ; 3781/..	Pre-assembled nut	1	28	
		Protection cap	2		
		Nut/body O Ring	3		
	Filter driers with indicator type: 4105/.. ; 4108/.. ; 4116/.. ; 4132/..	Pre-assembled nut	1	30	
		Protection cap	2		
		Nut/body O Ring	3		

GASKETS

Catalogue N°	Suitable for:	Spare Parts List	Pos.	Fig.	Note
004259	Liquid indicators type: 3620/.. Moisture - liquid indicators type: 3770/.. ; 3771/.. ; 3780/.. ; 3781/.. Filter driers with indicator type: 4105/.. ; 4108/.. ; 4116/.. ; 4132/..	Nut/body O Ring	3	28 29 30	minimum order quantity 20 pieces

FILTERS

SPARE PARTS & KITS

CLASSIC

Catalogue N°	Suitable for:	Spare Parts List	Pos.	Fig.	Note
G9150/R05	Filters with replaceable block type: 4411/.. ; 4412/.. ; 4413/.. ; 4414/.. 4421/.. ; 4423/.. ; 4424/.. SF411/.. ; SF412/.. ; SF413/.. ; SF4414/..	Cap with gasket	1	32	
		Valve core	2		
		Access fitting	3		
7520/2	All the filters series 44 and SF4	Nut 1/4 NPT	1	31	
003319	All the filters series 44 and SF4	Spring	5	31	
			7	32	
112160	Filters with replaceable block type: 4411/.. ; 4412/.. ; 4413/.. ; 4414/..	Aluminium threaded cover 1/4 " NPT	3	31	
			5	32	
112162	Filters with replaceable block type: 4411/.. ; 4412/.. ; 4413/.. ; 4414/..	Aluminium blind cover	ND	ND	
114321	Filters with replaceable block type: SF411/.. ; SF412/.. ; SF413/.. ; SF414/..	Plated steel threaded cover 1/4 " NPT	3	31	
			5	32	
114322	Filters with replaceable block type: SF411/.. ; SF412/.. ; SF4413/.. ; SF414/..	Plated steel blind cover	ND	ND	
G9150/R59	Filters with replaceable block type: 4411/.. ; 4412/.. ; 4413/.. ; 4414/..	N° 8 screws M8x30 - 8.8	2	31	
G9151/R42	Filters with replaceable block type: SF411/.. ; SF412/.. ; SF413/.. ; SF414/..	N° 8 screws M8x35 - 8.8	2	31	
G9150/R60	Filters with replaceable block type: 4411/..C	N° 8 stainless steel screws M8x30	4	32	
G9151/R43	Filters with replaceable block type: SF411/..C	N° 8 stainless steel screws M8x35	4	32	
007677	Filters with replaceable block type: 4411/.. ; 4412/.. ; 4413/.. ; 4414/.. SF411/.. ; SF412/.. ; SF413/.. ; SF414/..	Filtering tube for two blocks	7	31	
007678		Filtering tube for one block	8	31	
9151/R01	Filters with replaceable block type: 4411/.. ; 4412/.. ; 4413/.. ; 4414/..	Dehydrating block top	6	31	
		Dehydrating block bottom	9		
		Cover gasket	4		
9151/R44	Filters with replaceable block type: SF411/.. ; SF412/.. ; SF413/.. ; SF414/..	Dehydrating block top	6	31	
		Dehydrating block bottom	9		
		Cover gasket	4		
9151/R02	Filters with replaceable block type: 4411/..C	Mechanical block top	8	32	
		Mechanical block bottom	9		
		Cover gasket	6		
9151/R45	Filters with replaceable block type: SF411/..C	Mechanical block top	8	32	
		Mechanical block bottom	9		
		Cover gasket	6		
008338	Filters with replaceable block type: 4421/.. ; 4423/.. ; 4424/..	Plated steel threaded cover 1/4 " NPT	3	33	
			5	32	
G9150/R93	Filters with replaceable block type: 4421/.. ; 4423/.. ; 4424/..	N° 8 stainless steel screws M12x40	2	33	
			4	32	
9151/R46	Filters with replaceable block type: 4421/..A ; 4423/..A ; 4424/..A	Screw for filtering tube	6	33	
		Dehydrating block top	7		
		Dehydrating block bottom	9		
		Cover gasket	4		
008403	Filters with replaceable block type 4421/..A	Filtering tube	8	33	
008345	Filters with replaceable block type 4423/..A	Filtering tube	8	33	
008344	Filters with replaceable block type 4424/..A	Filtering tube	8	33	
9150/R58	Filters with replaceable block type 4421/..C	Mechanical block top	8	32	
		Mechanical block bottom	9		
		Cover gasket	6		

FILTERS

GASKETS

Catalogue N°	Suitable for:	Spare Parts List	Pos.	Fig.	Note
111758	Filters with replaceable block type: 4411/.. ; 4412/.. ; 4413/.. ; 4414/.. Filters with replaceable block of other manufactures: DANFOSS; ALCO, PARKER, SPORLAN, KMP, CARLY, HENRY	Cover gasket	4	31	minimum order quantity 20 pieces
			5	32	
111018	Filters with replaceable block type: 4421/.. ; 4423/.. ; 4424/..	Cover gasket	4	33	minimum order quantity 10 pieces

VALVES

SPARE PARTS & KITS

CLASSIC

Catalogue N°	Suitable for:	Spare Parts List	Pos.	Fig.	Note
CHANGEOVER VALVES					
008281	Changeover valve 3032/33 ; 3032/44 3032/64 ; 3032/66	Cap	6	35	
			4	36	
009490	Changeover valve 3032/88 ; 3032/108	Cap	4	36	
SHUT-OFF VALVES					
111602	Ball shut-off valves 3064/22 ; 3064/33 3064/44	Cap	1	37	
111635	Ball shut-off valves 3064/88	Cap	1	37	
HERMETIC VALVES					
113567	Hermetic valves type 6010/.. ; 6012/.. ; 6020/.. ; 6062/.. ; 6072/..	Cap	1	38	
G9150/R33	Hermetic valves type 6020/..	Screw	3	38	
		Spring washer	4		
RECEIVER VALVES					
113567	Receiver valves type: 6110/21 - /22 - /23 - /32 - /33 - /X13 - /X15 6120/22 - /23 - /32 - /33 6132/.. 6140/22 - /23	Cap	1	39	
009036	Receiver valves type: 6110/43 - /44 - /54 6120/43 - /44 - /54	Cap	1	39	
008282	Receiver valves type: 6110/66 6120/66	Cap	1	39	
STOP VALVES					
008004	Stop valves type 6165/22 - /33 ; 6175/33	Cap	1	40	
008005	Stop valves type 6175/44 - /55	Cap	1	40	
007481	Stop valves type 6170/66 - /77	Cap	1	40	
DIAPHRAGM VALVES					
002822	Diaphragm valves type: 6210/.. ; 6220/..	Red handle	1	41	
CAPPED VALVES					
113567	6410/.. ; 6420/..	Cap	1	42	
GLOBE VALVES					
001635	Globe valves type: 6512/M22 - /7 - /M28 - /9 - /11	Cap	1	43	
004299	Globe valves type: 6512/M22 - /7 - /M28 - /9	Cover/body screw	2	43	
004692	Globe valves type: 6512/11	Cover/body screw	2	43	
001228	Globe valves type: 6512/13 - /M42 - /17	Cap	1	43	
004302	Globe valves type: 6512/13 - /M42 - /17	Cover/body screw	2	43	
BALL VALVES					
111602	Ball valves type: 6570/2 - /3 - /4 - /5 - /6 - /M6 - /M10 - / M12 - /M15 - /M18 6570/2A - /3A - /4A - /5A - /6A - /M6A - / M10A - /M12A - /M15A - /M18A 6571/5 - /7	Cap	1	44	
111635	Ball valves type: 6570/7 - /9 - /M28 6570/7A - /9A - /M28A 6571/M28 - /9 - /11	Cap	1	44	
			1	44	
112348	Ball valves type: 6590/11 - /13 - /M42 6590/11A - /13A - /M42A 6591/13 - /M42 - /17	Cap	1	44	

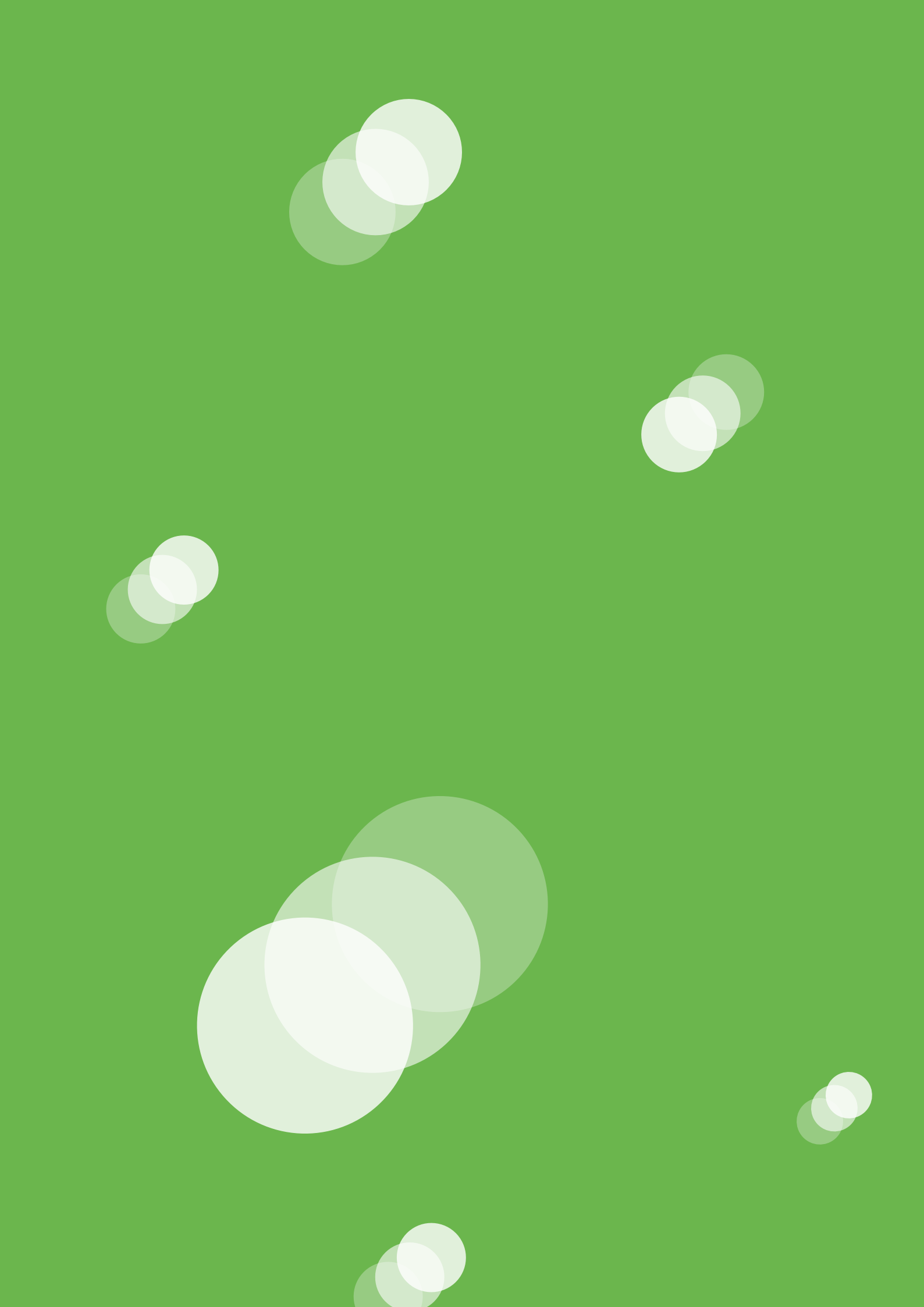
VALVES

SPARE PARTS & KITS

Catalogue N°	Suitable for:	Spare Parts List	Pos.	Fig.	Note
BALL VALVES					
112350	Ball valves type: 6590/17 - /17A 6591/21 - /21A 6591/M64 - /M64A	Cap	1	44	
9151/R11	Ball valves type: 6570/M64A - /21A 6571/24A - /25A	Cap with gasket	1	44	
9151/R12	Ball valves type: 6570/24A - /25A - /28A - /29A 6571/28A - /29A - /33A - /34A	Cap with gasket	1	44	
3-WAYS BALL VALVES					
113905	3-ways ball valves type: 6690/7 - /9 - /M28	Cap	1	45	
113913	3-ways ball valves type: 6690/11 - /13 - /M42	Cap	1	45	

GASKETS

Catalogue N°	Suitable for:	Spare Parts List	Pos.	Fig.	Note
CHANGEOVER VALVES					
004260	Changeover valve 3032/33 ; 3032/44	Connection/body O-Ring	2	35	minimum order quantity 20 pieces
008619	Changeover valve 3032/33 ; 3032/44	Elbow/body O-Ring	5	35	minimum order quantity 10 pieces
008414	Changeover valve 3032/64 ; 3032/66	Elbow/body O-Ring	3	36	minimum order quantity 10 pieces
009492	Changeover valve 3032/88 ; 3032/108	Elbow/body O-Ring	3	36	minimum order quantity 10 pieces
CAPPED VALVES					
005174	Capped valves type: 6410/2 - /3 - /4 - /5 6420/2 - /3 - /3S3 - /M10 - /M12 - /4 - /5	Nipple/body O-Ring	3	42	minimum order quantity 20 pieces
007676	Capped valves type: 6410/6 6420/M18 - /6 - /M22 - /7	Nipple/body O-Ring	3	42	minimum order quantity 10 pieces
GLOBE VALVES					
004296	Globe valves type: 6512/M22 - /7 - /M28 - /9 - /11	Cap gasket	3	43	minimum order quantity 20 pieces
111082	Globe valves type: 6512/M22 - /7 - /M28 - /9	Cover/body gasket	6	43	minimum order quantity 20 pieces
111083	Globe valves type: 6512/11	Cover/body gasket	6	43	minimum order quantity 10 pieces
000830	Globe valves type: 6512/13 - /M42 - /17	Cap gasket	3	43	minimum order quantity 20 pieces
111084	Globe valves type: 6512/13 - /M42	Cover/body gasket	6	43	minimum order quantity 10 pieces
111085	Globe valves type: 6512/17	Cover/body gasket	6	43	minimum order quantity 5 pieces
BALL VALVES					
000530	Ball valves type: 6590/11 - /13 - /M42 6590/11A - /13A - /M42A 6591/13 - /M42 - /17	Cap gasket	2	44	minimum order quantity 20 pieces
009754	Ball valves type: 6590/17 - /17A 6591/21 - /21A 6591/M64 - /M64A	Cap gasket	2	44	minimum order quantity 20 pieces
3-WAYS BALL VALVES					
004296	3-ways ball valves type: 6690/7 - /9 - /M28	Cap gasket	2	45	minimum order quantity 20 pieces
113914	3-ways ball valves type: 6690/11 - /13 - /M42	Cap gasket	2	45	minimum order quantity 20 pieces





GO GREEN

R744 • NATURAL REFRIGERANT

R744 REFRIGERANT



SOLENOID EXPANSION VALVES

SPARE PARTS & KITS

Catalogue N°	Suitable for:	Spare Parts List	Pos.	Fig.	Note
9151E/R26	All PWM valves type 2028E/..	Plunger + spring	9	01	
		Filter	11		
		Nut/body O Ring	8		
9151E/R27	All PWM valve types 2028E/..	Armature	7	01	
		Plunger + spring	9		
		Filter	11		
		Nut/body O Ring	8		
		O Ring under coil	5		

GASKETS

Catalogue N°	Suitable for:	Spare Parts List	Pos.	Fig.	Note
11557	All PWM valve type 2028E/..	Nut/body O Ring	8	01	minimum order quantity 20 pieces

MISCELLANEA

Catalogue N°	Suitable for:	Spare Parts List	Pos.	Fig.	Note
113332	All PWM valves	O Ring under coil	5	01	minimum order quantity 20 pieces
G9151/R14	All PWM valves type : 2028E/..	Blue nut for fixing coil	1	01	
		Black screw for fixing coil	3		
		O Ring for blue nut	2		

SOLENOID VALVES

SPARE PARTS & KITS

Catalogue N°	Suitable for:	Spare Parts List	Pos.	Fig.	Note
9150EL/R07	All N.C. GOGREEN solenoid valves	Plunger	6	02	
		Plunger spring	5		
		Nut/body O Ring	7		
9150EL/R70	All N.C. GOGREEN solenoid valves (excluding valves listed in 9151EL/XX)	N.C. armature	4	02	
		Nut	3		
		O Ring under coil	2		
		Plunger	6		
		Plunger spring	5		
		Nut/body O Ring	7		
9150EL/R71	Diaphragm pilot operated for 1098EL/9	Pre-assembled N.C. armature	3	03	
		O Ring under coil	2		
		Plunger	6		
		Plunger spring	5		
		Nut/body O Ring	4		
9150EL/R08	Diaphragm pilot operated for 1098EL/9	Diaphragm	7	03	
		Plunger	6		
		Plunger spring	5		
		Nut/body O Ring	4		
9151EL/R28	N.C. piston solenoid valves type 1038EL/..	Pre-assembled N.C. armature	3	04	
		O Ring under coil	2		
		Plunger	6		
		Plunger spring	5		
		Nut/body O Ring	4		
9150EL/R81	N.C. piston solenoid valves type 1038EL/..	Piston	7	04	
		Plunger	6		
		Plunger spring	5		
		Nut/body O Ring	4		
9150EL/R82	N.C. piston solenoid valves type 1048EL/..	Piston	11	06	
		Piston ring	12		
		Plunger	6		
		Plunger spring	5		
		Cover/body screws	8		
		Cover/body O Ring	10		
9150EL/R50	N.C. piston solenoid valves type 1058EL/..	Piston	11	08	
		Piston ring	12		
		Plunger	6		
		Plunger spring	5		
		Cover/body screws	8		
		Cover/body O Ring	10		
9150EL/R43	Main piston pilot operated for N.C. solenoid valves type 1098EL/9	Piston	14	10	
		Piston ring	15		
		Piston spring	13		
		Cover/body screws	9		
		Cover/body O Ring	16		
		Pilot O Ring	17		
		Nut/cover O Ring	10		
9151E/R31	N.C. solenoid valves type: 1427E/.. ; 1428E/.. ; 1437E/.. ; 1438E/..	Plunger with spring	4	13	
		N.C. armature	3		
		Nut/body O Ring	5		
9151E/R32	Main piston pilot operated for N.C. solenoid valves type: 1427E/.. ; 1428E/.. ; 1437E/.. ; 1438E/..	Piston	7	13	
		Piston ring	8		
		Piston spring	10		
		Cover/body O Ring	9		

GO GREEN

SOLENOID VALVES

GASKETS

Catalogue N°	Suitable for:	Spare Parts List	Pos.	Fig.	Note
110952	N.C. solenoid valves type: 1028EL/..	Nut/body O Ring	7	02	minimum order quantity 20 pieces
110615	N.C. piston solenoid valves type: 1038EL/.. Diaphragm pilot operated for 1098EL/9	Nut/body O Ring	4	03 04 10	minimum order quantity 20 pieces
111107	N.C. piston solenoid valves type 1048EL/..	Cover/body O Ring	10	06	minimum order quantity 10 pieces
111744	N.C. piston solenoid valves type 1058EL/..	Cover/body O Ring	10	07 08	minimum order quantity 10 pieces
	Main piston pilot operated for N.C. solenoid valves type 1098EL/9		16	10	
111557	N.C. solenoid valves type: 1427E/.. ; 1428E/.. ; 1437E/.. ; 1438E/..	Nut/body O Ring	5	13	minimum order quantity 10 pieces
113972	N.C. solenoid valves type: 1427E/.. ; 1428E/.. ; 1437E/.. ; 1438E/..	Cover/body O Ring	9		minimum order quantity 10 pieces

MISCELLANEA

Catalogue N°	Suitable for:	Spare Parts List	Pos.	Fig.	Note
113332	All the N.C. solenoid valves	O Ring under coil	2	02	minimum order quantity 20 pieces
G9151/R14	All the N.C. solenoid valves	Blu nut for fixing coil	9a	02	
		Black screw for fixing coil	10a		
		O Ring for blu nut	11a		
G9150/R06	All N.C.solenoid valves up to 1058EL/..	Bracket	12	02	
		Screw	13		

INDICATORS

SPARE PARTS & KITS

Catalogue N°	Suitable for:	Spare Parts List	Pos.	Fig.	Note
9150/R88	Moisture-liquid indicators type: 3740E/.. ; 3747E/.. ; 3748E/.. ; 3777E/11	Pre-assembled nut	1	28	
		Protection cap	2		
		Nut/body O Ring	3		
	Filter driers with indicator type: 4105E/.. ; 4108E/.. ; 4116E/..	Pre-assembled nut	1	30	
		Protection cap	2		
		Nut/body O Ring	3		

GASKETS

Catalogue N°	Suitable for:	Spare Parts List	Pos.	Fig.	Note
110615	Moisture-liquid indicators type: 3740E/.. ; 3747E/.. ; 3748E/.. ; 3777E/11 Filter driers with indicator type: 4105E/.. ; 4108E/.. ; 4116E/..	Nut/body O Ring	3	28 29 30	minimum order quantity 20 pieces

FILTERS

SPARE PARTS & KITS

Catalogue N°	Suitable for:	Spare Parts List	Pos.	Fig.	Note
G9150E/R05	Filters with replaceable block type: 4411E/.. ; 4412E/..	Cap with gasket	1	32	
		Valve core	2		
		Access fitting	3		
7520/2	Filters with replaceable block type: 4411E/.. ; 4412E/..	Nut 1/4 NPT	1	31	
003319	Filters with replaceable block type: 4411E/.. ; 4412E/..	Spring	5	31	
			7	32	
113366	Filters with replaceable block type: 4411E/.. ; 4412E/..	Aluminium threaded cover 1/4 " NPT	3	31	
			5	32	
113458	Filters with replaceable block type: 4411E/.. ; 4412E/..	Aluminium blind cover			
G9150/R92	Filters with replaceable block type: 4411E/.. ; 4412E/..	N° 8 screws M8x35 - 12.9	2	31	
007677	Filters with replaceable block type: 4411E/.. ; 4412E/..	Filtering tube for two blocks	7	31	
007678		Filtering tube for one block	8	31	
9151E/R01	Filters with replaceable block type: 4411E/.. ; 4412E/..	Dehydrating block top	6	31	
		Dehydrating block bottom	9		
		Cover gasket	4		
9151E/R02	To transform a filter type 4411E/_AF in a filter type 4411E/_CF	Mechanical block top	8	32	
		Mechanical block bottom	9		
		Cover gasket	6		
9151/R15	Strainers type: 4727E/3 ; 4727E/4 4728E/M10 ; 4728E/M12	Pre-assembled filter	2	34	
		Nut/body O Ring	3		
9151/R16	Strainers type: 4727E/5 4728E/M16	Pre-assembled filter	2	34	
		Nut/body O Ring	3		
9151/R17	Strainers type: 4727E/6 ; 4727E/7 4728E/M18 ; 4728E/M22	Pre-assembled filter	2	34	
		Nut/body O Ring	3		
9151/R18	Strainers type: 4727E/9 4728E/M28	Pre-assembled filter	2	34	
		Nut/body O Ring	3		
9151/R19	Strainers type: 4727E/11 4728E/M35	Pre-assembled filter	2	34	
		Nut/body O Ring	3		
9151/R24	Strainers type: 4727E/13 4728E/M42	Pre-assembled filter	2	34	
		Nut/body O Ring	3		
9151/R25	Strainers type: 4727E/17	Pre-assembled filter	2	34	
		Nut/body O Ring	3		

GASKETS

Catalogue N°	Suitable for:	Spare Parts List	Pos.	Fig.	Note
111135	Filters with replaceable block type: 4411E/.. ; 4412E/..	Cover gasket	4	31	minimum order quantity 20 pieces
			5	32	
113432	Strainers type: 4727E/3 ; 4727E/4 ; 4227E/5 4728E/M10 ; 4728E/M12 ; 4728E/M16	Nut/body O-Ring	3	34	minimum order quantity 20 pieces
111843	Strainers type: 4727E/6 ; 4727E/7 ; 4727E/9 4728E/M18 ; 4728E/M22 ; 4727E/M28	Nut/body O-Ring	3	34	minimum order quantity 20 pieces
112735	Strainers type: 4727E/11 4728E/M35	Nut/body O-Ring	3	34	minimum order quantity 10 pieces
113737	Strainers type: 4727E/13 4728E/M42	Nut/body O-Ring	3	34	minimum order quantity 10 pieces
113738	Strainers type: 4727E/17	Nut/body O-Ring	3	34	minimum order quantity 5 pieces

VALVES

SPARE PARTS & KITS

Catalogue N°	Suitable for:	Spare Parts List	Pos.	Fig.	Note
CHANGEOVER VALVES					
008281	Changeover valve 3032E/33 ; 3032E/44 3032E/64 ; 3032E/64L ; 3032E/66 ; 3032E/66L	Cap	6	35	
			4	36	
009490	Changeover valve 3032E/88 ; 3032E/108	Cap	4	36	
SHUT-OFF VALVES					
111602	Ball shut-off valves 3064E/22 ; 3064E/33 3064E/44	Cap	1	37	
111635	Ball shut-off valves 3064E/88	Cap	1	37	
HERMETIC VALVES					
113567	Hermetic valves type 6010E/.. ; 6012E/..	Cap	1	38	
RECEIVER VALVES					
113567	Receiver valves type: 6110E/22 - /33 - /X13 - /X15 6120E/22 - /33	Cap	1	39	
009036	Receiver valves type: 6110E/44 6120E/44	Cap	1	39	
CAPPED VALVES					
113567	6420E/..	Cap	1	42	
BALL VALVES					
111602	Ball valves type: 6570EL/2 - /3 - /4 - /5 - /6 - /M6 - /M10 - /M12 - /M18 6570E/2 - /3 - /4 - /5 - /6 - /M6 - /M10 - / M12 - /M18 6577E/2 - /3 - /4 - /5 - /6 6578E/M6 - /M10 - /M12 - /M18	Cap	1	44	
111635	Ball valves type: 6570EL/7 - /9 - /M28 6570E/7 - /9 - /M28	Cap	1	44	
113905	Ball valves type: 6597E/7 - /9 6598E/M22 - /M28		1	44	
112348	Ball valves type: 6570EL/11 - /13 - /M42 6570E/11 - /13 - /M42 6577E/11 - /13 6578E/M35 - /M42	Cap	1	44	
112350	Ball valves type: 6590EL/17 6590E/17 6597/17 6598E/M60	Cap	1	44	
3-WAYS BALL VALVES					
113905	3-ways ball valves type: 6690E/7 - /9 - /M28 6697E/7 - /9 6698E/M22 - /M28	Cap	1	45	
113913	3-ways ball valves type: 6690E/11 - /13 - /M42 6697E/11 - /13 6698E/M35 - /M42	Cap	1	45	

VALVES

GASKETS

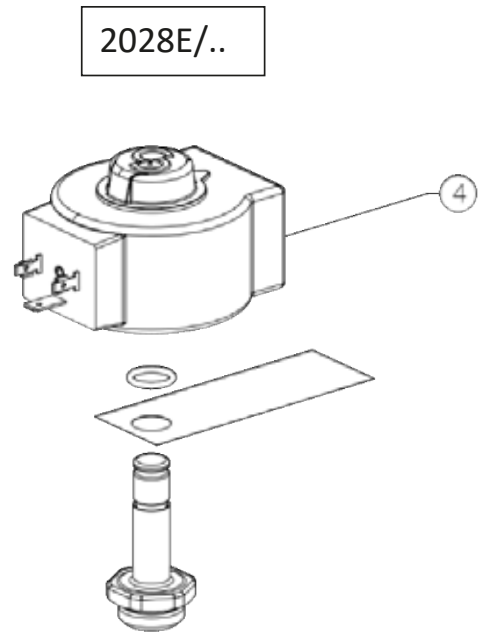
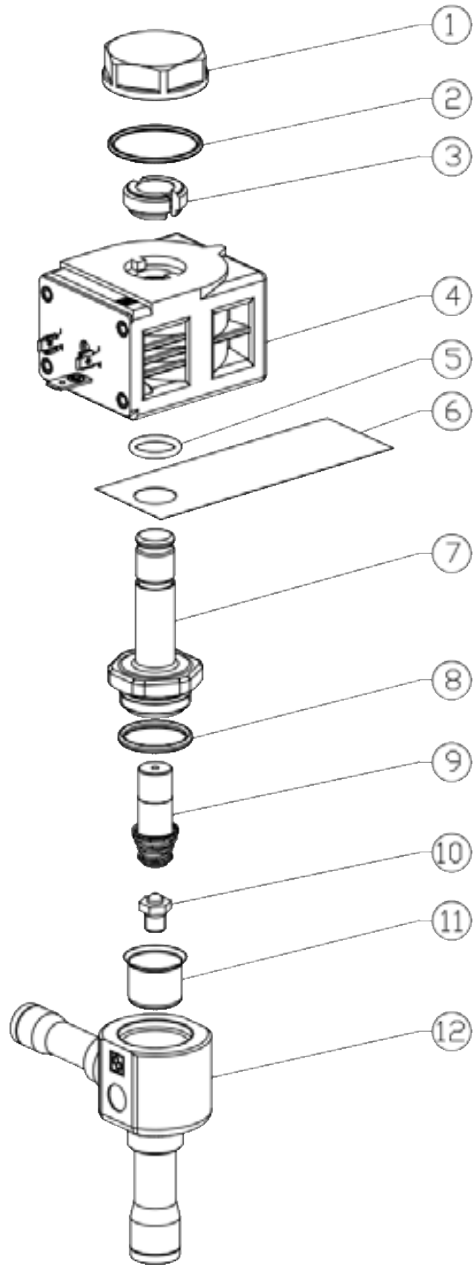
Catalogue N°	Suitable for:	Spare Parts List	Pos.	Fig.	Note
CHANGEOVER VALVES					
110877	Changeover valve 3032E/33 ; 3032E/44	Connection/body O-Ring	2	35	minimum order quantity 20 pieces
110878	Changeover valve 3032E/33 ; 3032E/44	Elbow/body O-Ring	5	35	minimum order quantity 10 pieces
111785	Changeover valve 3032E/64 ; 3032E/64L ; 3032E/66 ; 3032E/66L	Elbow/body O-Ring	3	36	minimum order quantity 10 pieces
111843	Changeover valve 3032E/88 ; 3032E/108	Elbow/body O-Ring	3	36	minimum order quantity 10 pieces
CAPPED VALVES					
111784	Capped valves type: 6420E/2 - /3 - /3S3 - /4	Nipple/body O-Ring	3	42	minimum order quantity 20 pieces
BALL VALVES					
000530	Ball valves type: 6590EL/11 - /13 - /M42 6590E/11 - /13 - /M42 6597E/11 - /13 6598E/M35 - /M42	Cap gasket	2	44	minimum order quantity 20 pieces
009754	Ball valves type: 6590EL/17 6590E/17 6597/17 6598E/M60	Cap gasket	2	44	minimum order quantity 20 pieces
3-WAYS BALL VALVES					
004296	3-ways ball valves type: 6690E/7 - /9 - /M28 6697E/7 - /9 6698E/M22 - /M28	Cap gasket	2	45	minimum order quantity 20 pieces
113914	3-ways ball valves type: 6690E/11 - /13 - /M42 6697E/11 - /13 6698E/M35 - /M42	Cap gasket	2	45	minimum order quantity 20 pieces

EXPLODED DRAWINGS



FIG. 01

PWM EXPANSION VALVES
 TYPE 2028/.. (CLASSIC)
 2028N/.. - 2028EX/.. (POLYHEDRA)
 2028E/.. (GO GREEN)



1)	NUT
2)	O-RING
3)	BLACK SCREW
4)	COIL
5)	O-RING
6)	LABEL
7)	ARMATURE
8)	O-RING
9)	PLUNGER + SPRING
10)	ORIFICE
11)	FILTER
12)	BODY

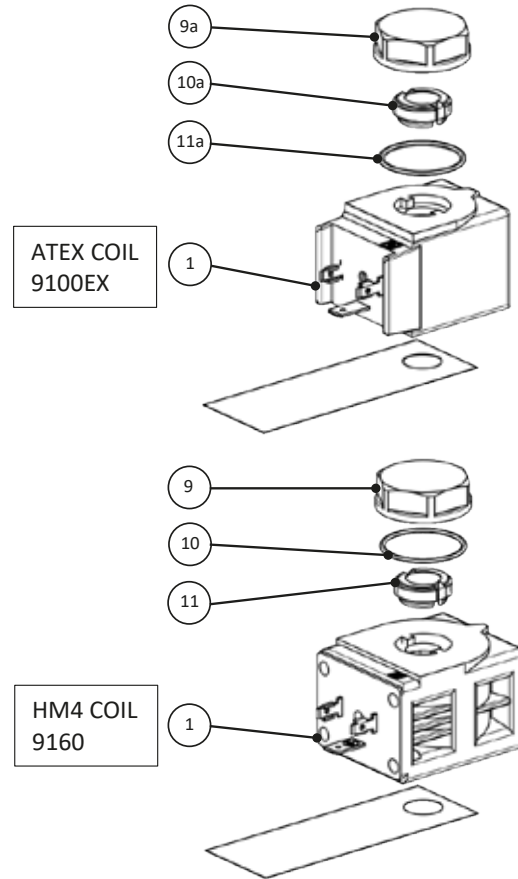
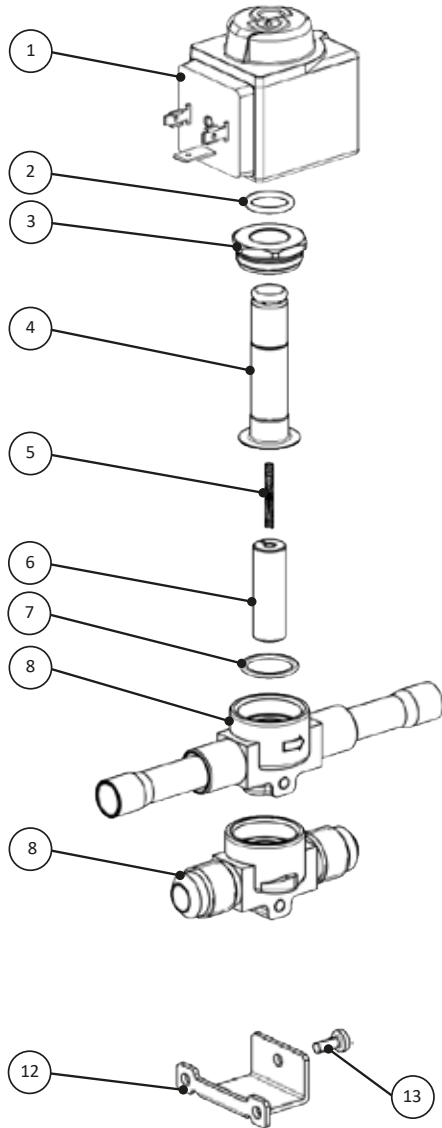
FIG. 02

SOLENOID VALVES

TYPE 1020/.. - 1028/.. (CLASSIC)

1020N/.. - 1028N/.. - 1028EX/.. (POLYHEDRA)

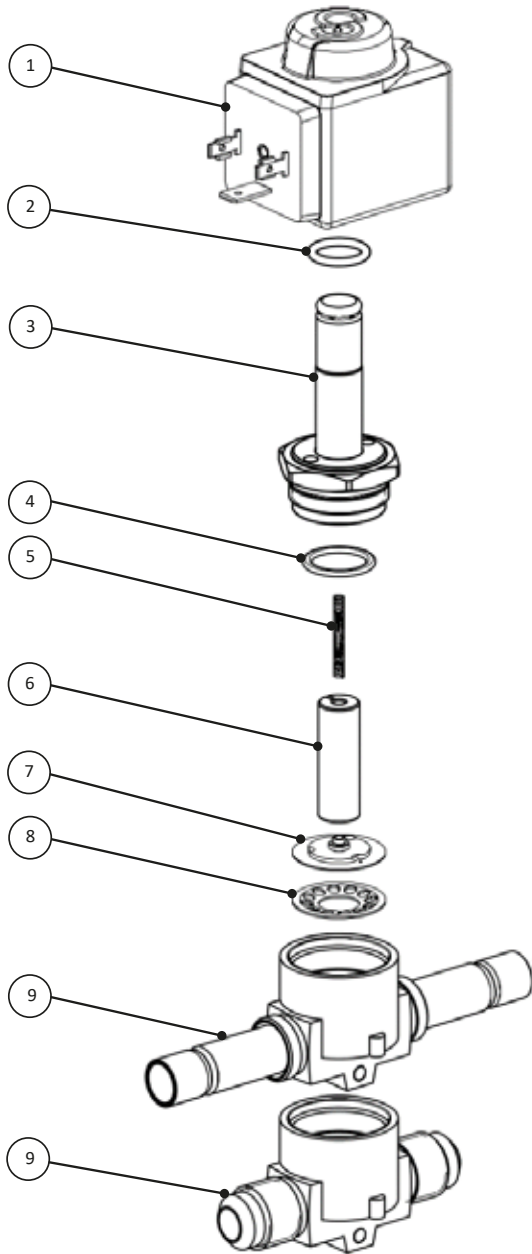
1028EL/.. (GO GREEN)



1)	COIL
2)	O-RING
3)	NUT
4)	ARMATURE
5)	SPRING
6)	PLUNGER
7)	O-RING
8)	BODY
9) - 9a)	NUT
10) - 10a)	O-RING
11) - 11a)	BLACK SCREW
12)	BRACKET
13)	SCREW

FIG. 03

SOLENOID VALVES
 TYPE 1064/.. - 1068/.. (CLASSIC)
 1064N/.. - 1068N/.. - 1068EX/..(POLYHEDRA)



FOR ATEX VALVES 1068EX
 SEE POS. 9a - 10a - 11a OF FIG. 02

1)	COIL
2)	O-RING
3)	NUT + ARMATURE
4)	O-RING
5)	SPRING
6)	PLUNGER
7)	DIAPHRAGM
8)	DRILLED WASH
9)	BODY

FIGURES

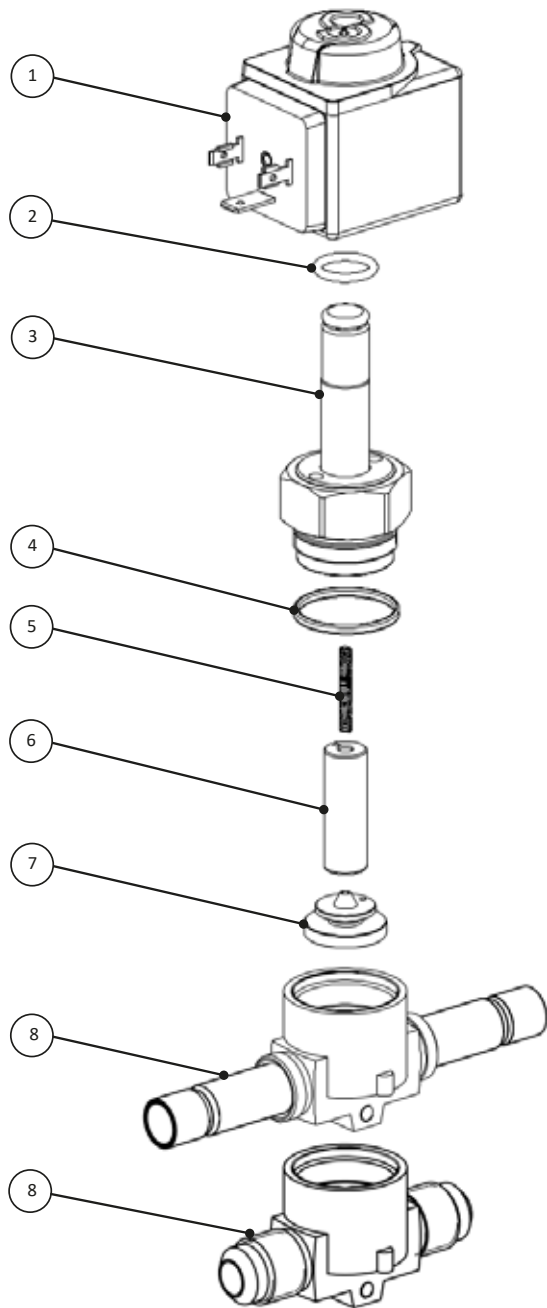
FIG. 04

SOLENOID VALVES

TYPE 1034/.. - 1038/.. (CLASSIC)

1034N/.. - 1038N/.. (POLYHEDRA)

1038EL/.. (GO GREEN)



1)	COIL
2)	O-RING
3)	NUT + ARMATURE
4)	O-RING
5)	SPRING
6)	PLUNGER
7)	PISTON
8)	BODY

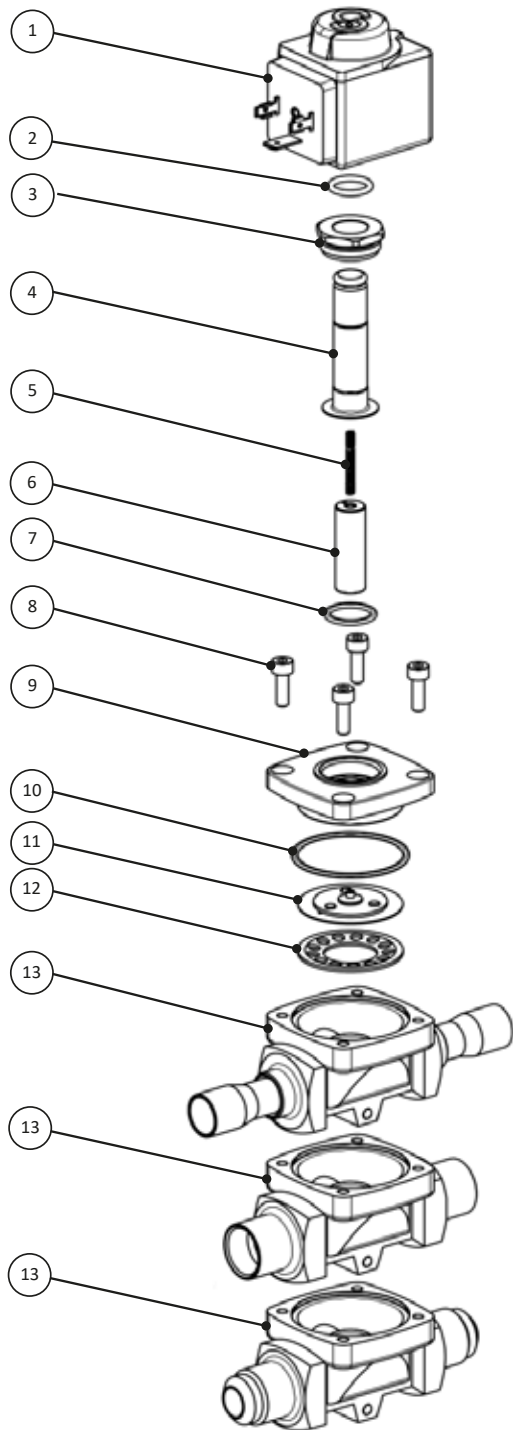
FIG. 05

SOLENOID VALVES

TYPE 1070/.. - 1076/.. - 1078/.. - 1079/.. (CLASSIC)

1070N/.. - 1078N/.. - 1079N/.. (POLYHEDRA)

1078EX/.. - 1079EX/.. (POLYHEDRA)



FOR ATEX VALVES 1078EX - 1079EX
SEE POS. 9a - 10a - 11a OF FIG. 02

1)	COIL
2)	O-RING
3)	NUT
4)	ARMATURE
5)	SPRING
6)	PLUNGER
7)	O-RING
8)	SCREW
9)	COVER
10)	O-RING
11)	DIAPHRAGM
12)	DRILLED WASH
13)	BODY

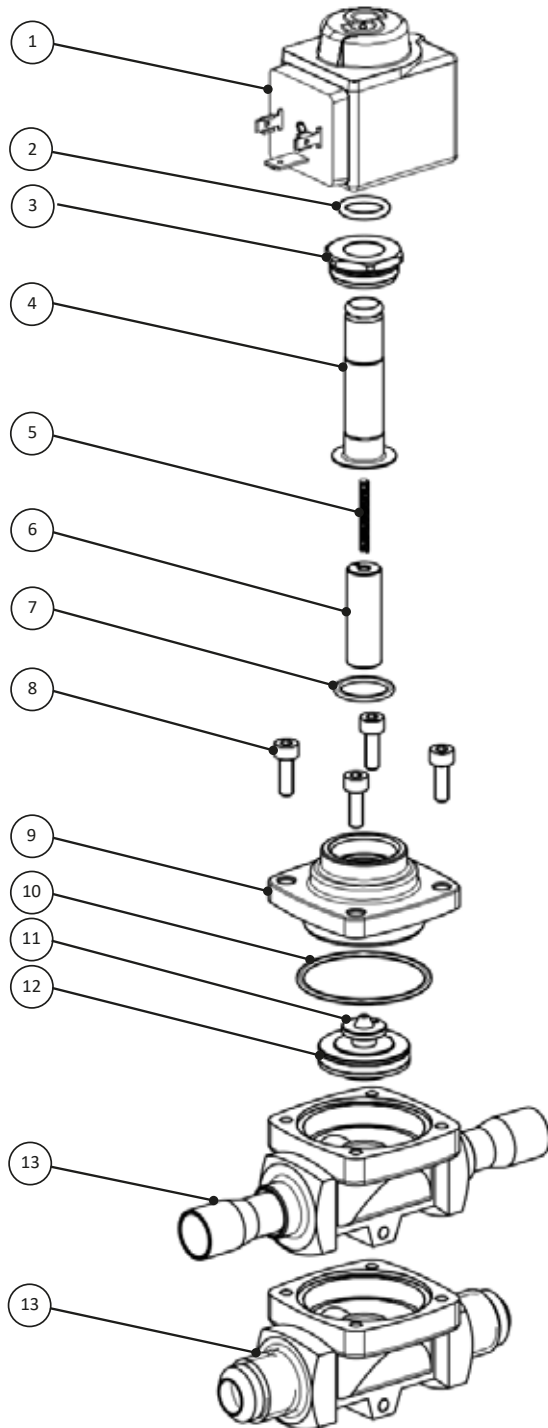
FIG. 06

SOLENOID VALVES

TYPE 1040/.. - 1048/.. - 1049/.. (CLASSIC)

1040N/.. - 1048N/.. - 1049N/.. (POLYHEDRA)

1048EL/.. (GO GREEN)



1)	COIL
2)	O-RING
3)	NUT
4)	ARMATURE
5)	SPRING
6)	PLUNGER
7)	O-RING
8)	SCREW
9)	COVER
10)	O-RING
11)	PISTON
12)	PISTON RING
13)	BODY

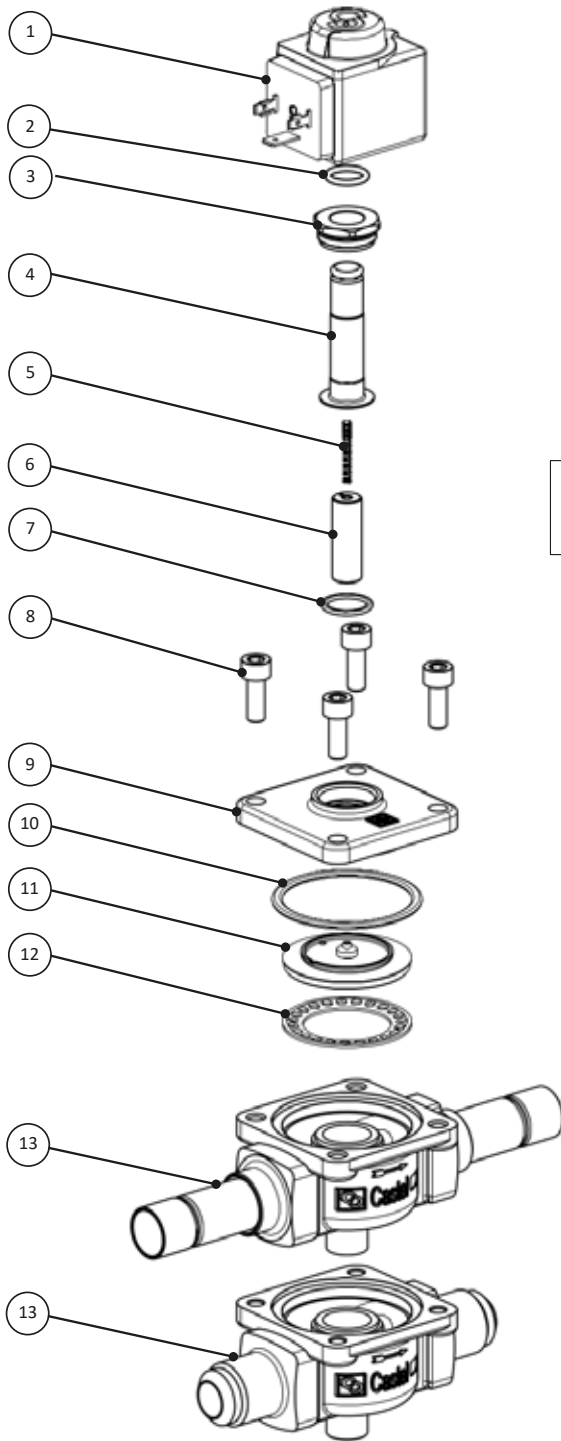
FIG. 07

SOLENOID VALVES

TYPE 1090/.. - 1098/.. - 1099/.. (CLASSIC)

1090N/.. - 1098N/.. - 1099N/.. (POLYHEDRA)

1098EX/.. - 1099EX/.. (POLYHEDRA)



FOR ATEX VALVES 1098EX – 1099EX
SEE POS. 9a – 10a – 11a OF FIG. 02

1)	COIL
2)	O-RING
3)	NUT
4)	ARMATURE
5)	SPRING
6)	PLUNGER
7)	O-RING
8)	SCREW
9)	COVER
10)	O-RING
11)	DIAPHRAGM
12)	DRILLED WASH
13)	BODY

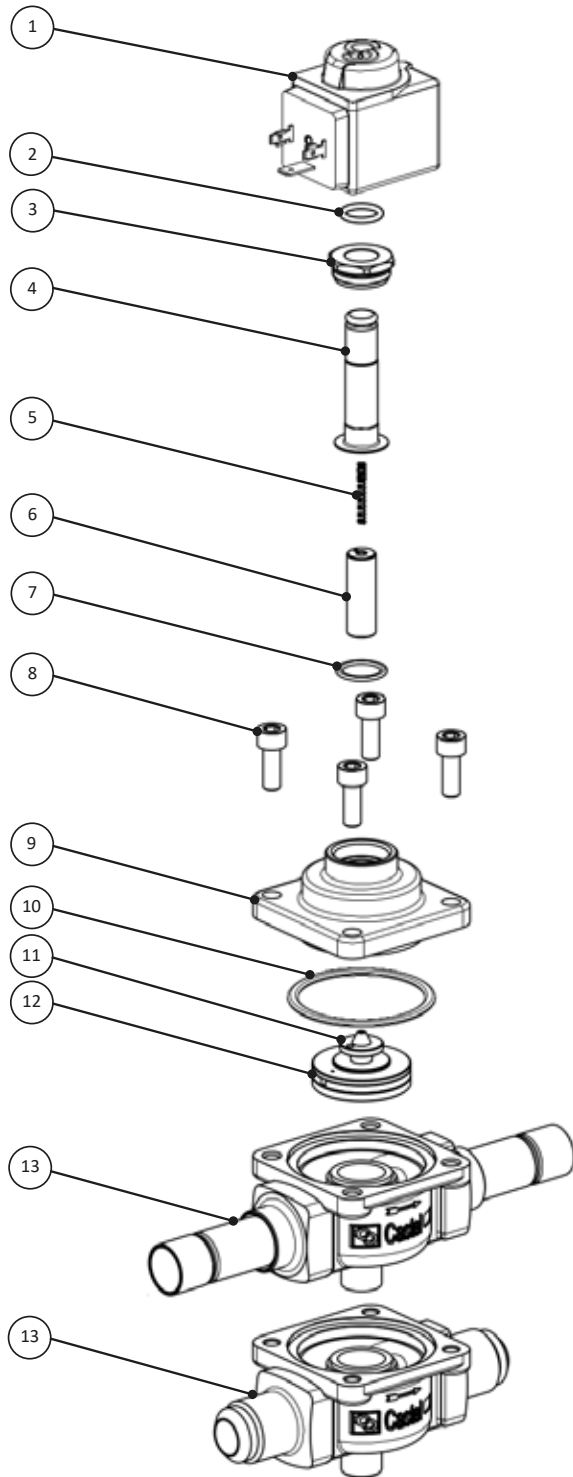
FIG. 08

SOLENOID VALVES

TYPE 1050/.. – 1058/.. – 1059/.. (CLASSIC)

1050N/.. – 1058N/.. – 1059N/.. (POLYHEDRA)

1058EL/.. (GO GREEN)



1)	COIL
2)	O-RING
3)	NUT
4)	ARMATURE
5)	SPRING
6)	PLUNGER
7)	O-RING
8)	SCREW
9)	COVER
10)	O-RING
11)	PISTON
12)	PISTON RING
13)	BODY

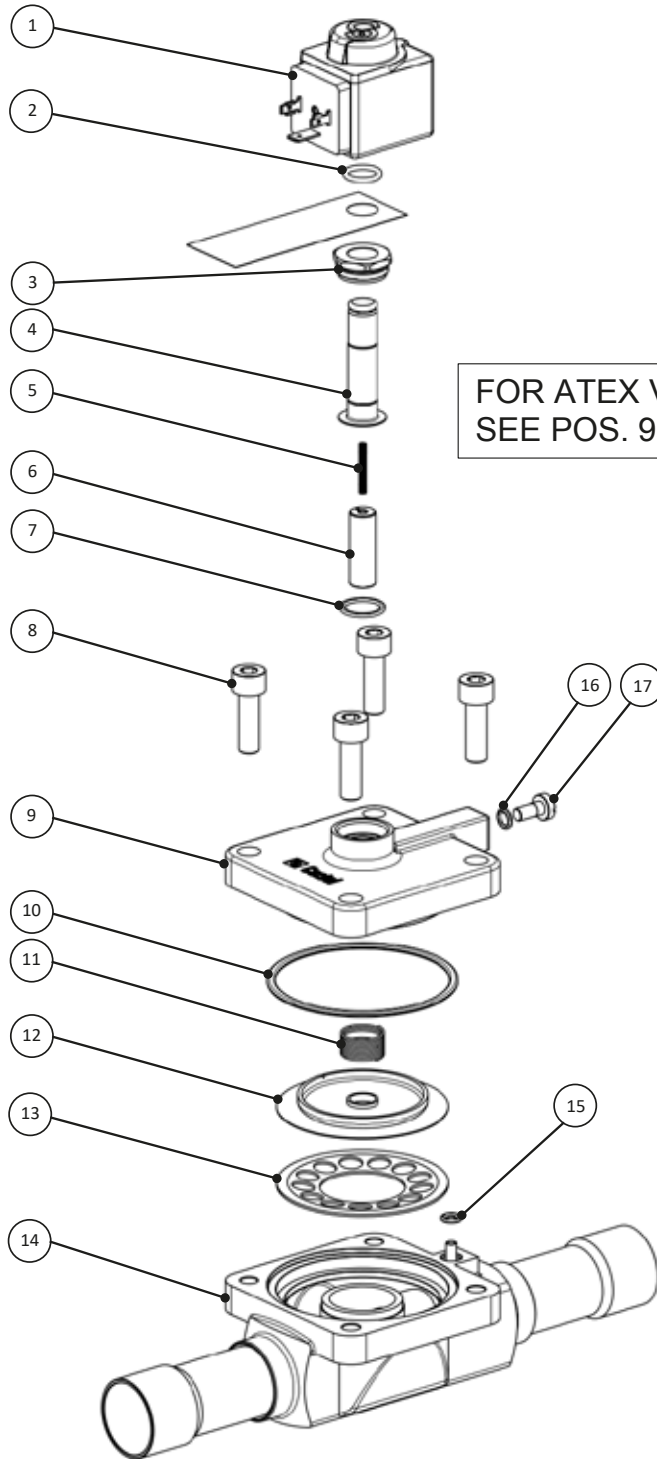
FIG. 09

SOLENOID VALVES

TYPE 1078/9 - 1079/11 (CLASSIC)

1078N/9 - 1079N/11 (POLYHEDRA)

1078EX/9 - 1079EX/11 (POLYHEDRA)



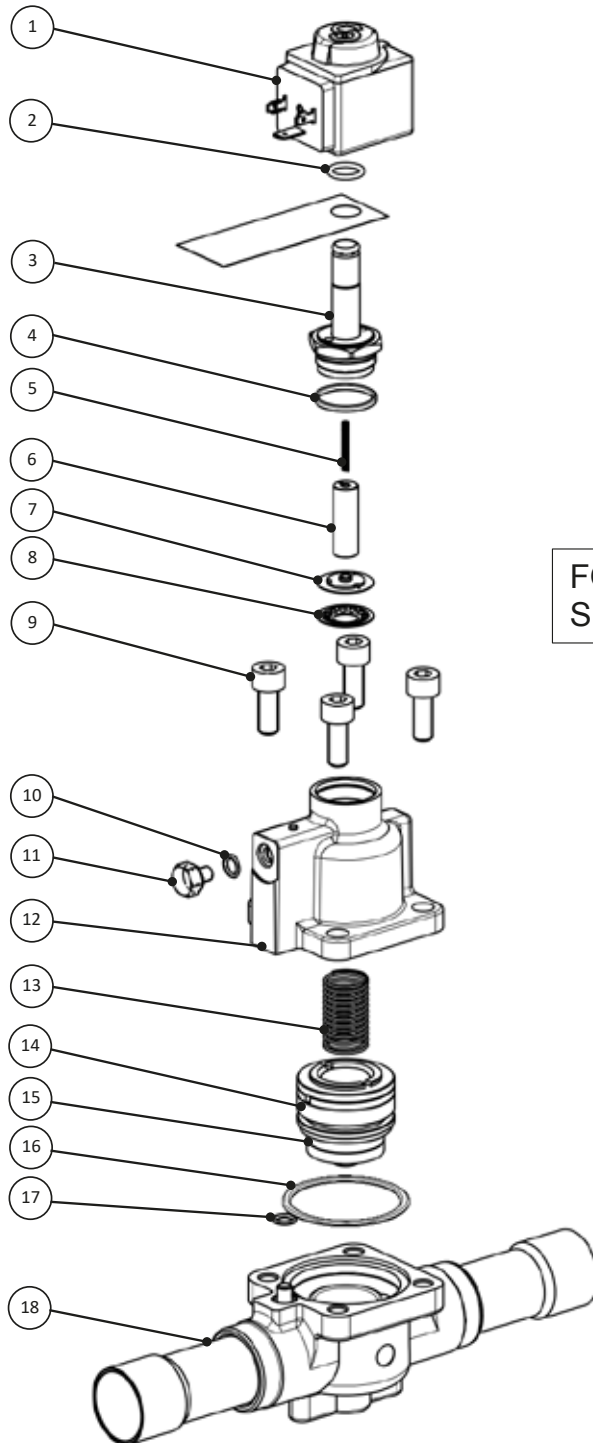
FOR ATEX VALVES 1078EX/9 - 10709EX/11
SEE POS. 9a - 10a - 11a OF FIG. 02

1)	COIL
2)	O-RING
3)	NUT
4)	ARMATURE
5)	SPRING
6)	PLUNGER
7)	O-RING
8)	SCREW
9)	COVER
10)	O-RING
11)	SPRING
12)	DIAPHRAGM
13)	DRILLED WASH
14)	BODY
15)	O-RING
16)	O-RING
17)	SCREW

FIG. 10

SOLENOID VALVES

TYPE 1078/.. - 1079/.. - 1098/.. - 1099/.. (CLASSIC)
 1078N/.. - 1079N/.. - 1098N/.. - 1099N/.. (POLYHEDRA)
 1098EX/.. - 1099EX/.. (POLYHEDRA)
 1098EL (GO GREEN)



FOR ATEX VALVES 1098EX – 1099EX
 SEE POS. 9a – 10a – 11a OF FIG. 02

1)	COIL
2)	O-RING
3)	NUT + ARMATURE
4)	O-RING
5)	SPRING
6)	PLUNGER
7)	DIAPHRAGM
8)	DRILLED WASH
9)	SCREW
10)	O-RING
11)	SCREW
12)	COVER
13)	SPRING
14)	PISTON RING
15)	PISTON
16)	O-RING
17)	O-RING
18)	BODY

FIG. 11

PWM SOLENOID VALVES TYPE 1328N/.. (POLYHEDRA)

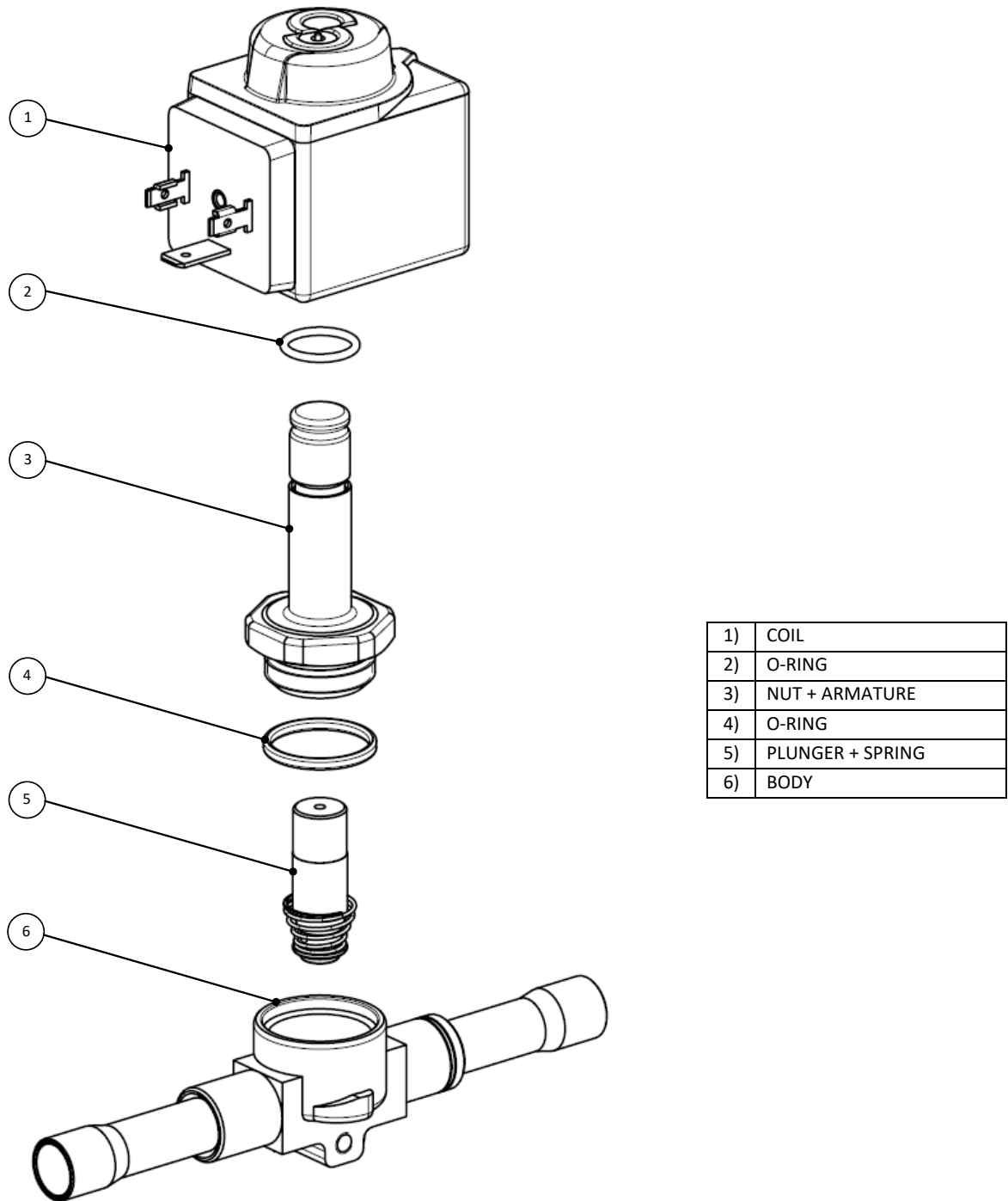
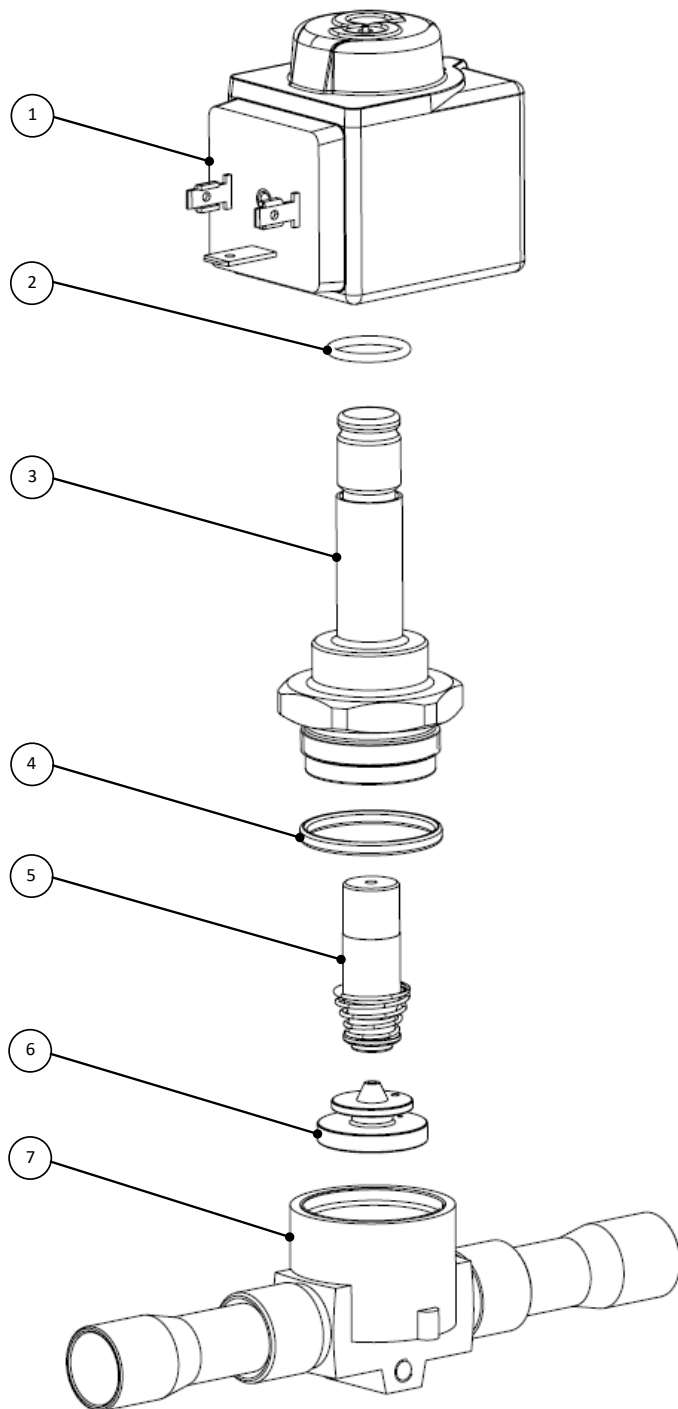


FIG. 12

PWM SOLENOID VALVES TYPE 1338N/.. (POLYHEDRA)



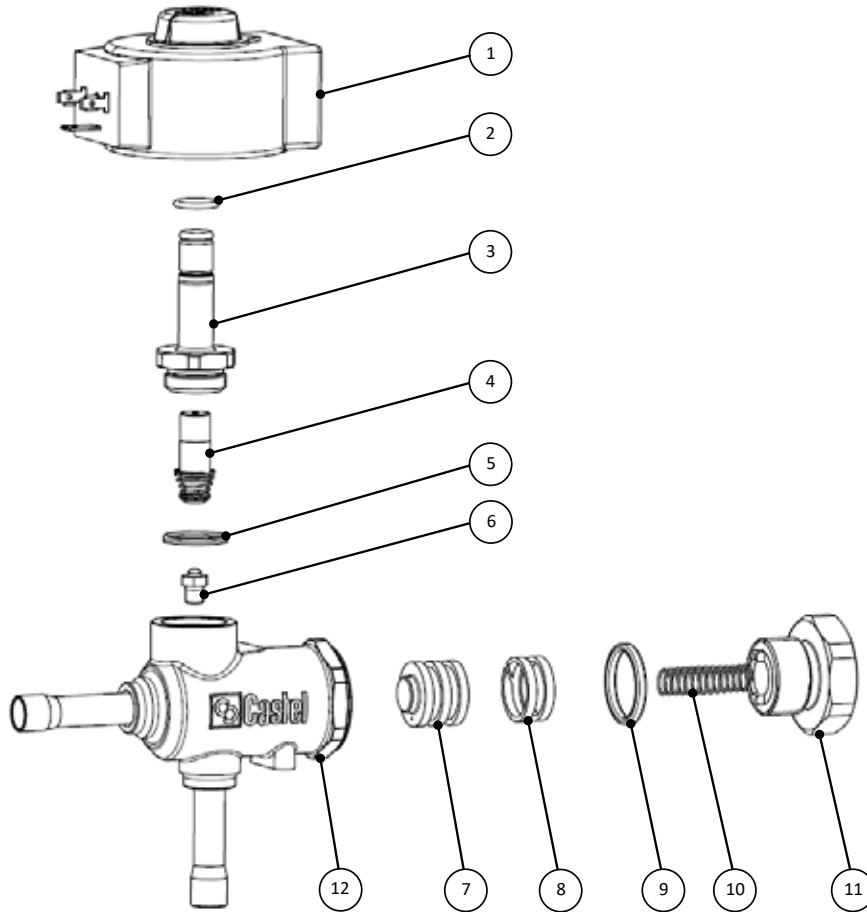
1)	COIL
2)	O-RING
3)	NUT + ARMATURE
4)	O-RING
5)	PLUNGER + SPRING
6)	PISTON
7)	BODY

FIG. 13

SOLENOID VALVES

TYPE 1427E/.. - 1428E/.. (GO GREEN)

1437E/.. - 1438E/.. (GO GREEN)



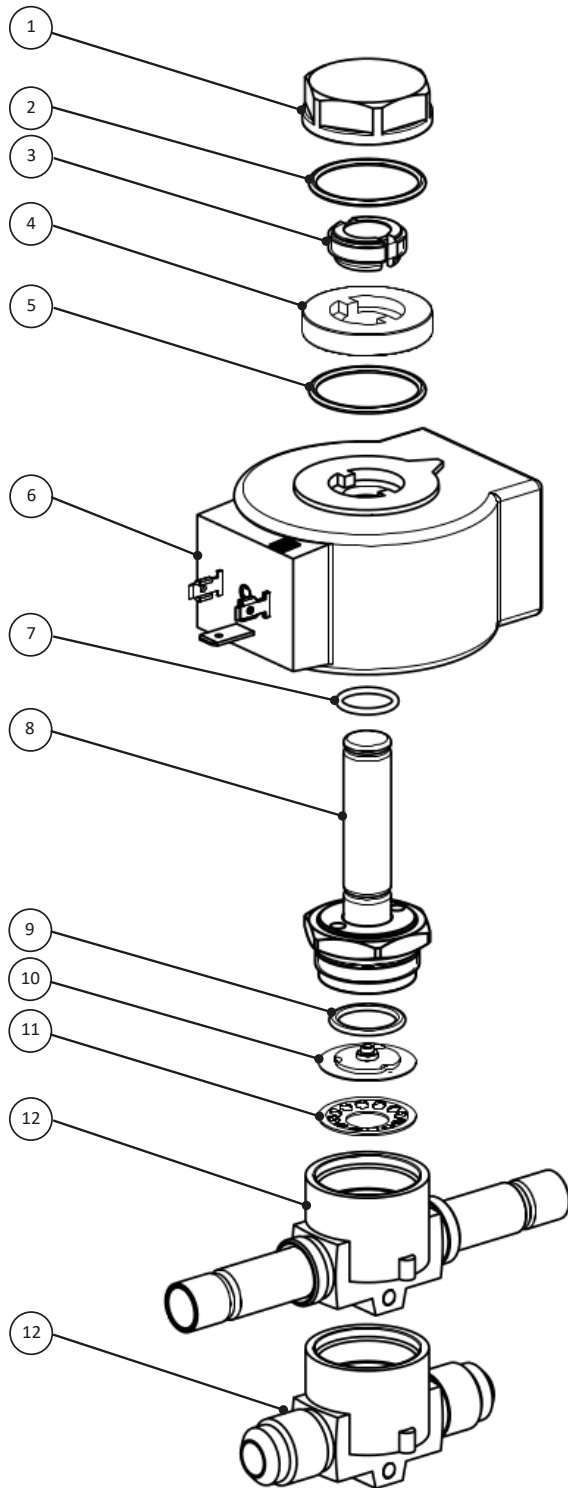
1)	COIL
2)	O-RING
3)	NUT + ARMATURE
4)	PLUNGER + SPRING
5)	O-RING
6)	ORIFICE
7)	PISTON
8)	PISTON RINGS
9)	O-RING
10)	SPRING
11)	CAP
12)	BODY

FIG. 14

SOLENOID VALVES

TYPE 1164/.. - 1168/.. (CLASSIC)

1164N/.. - 1168N/.. (POLYHEDRA)



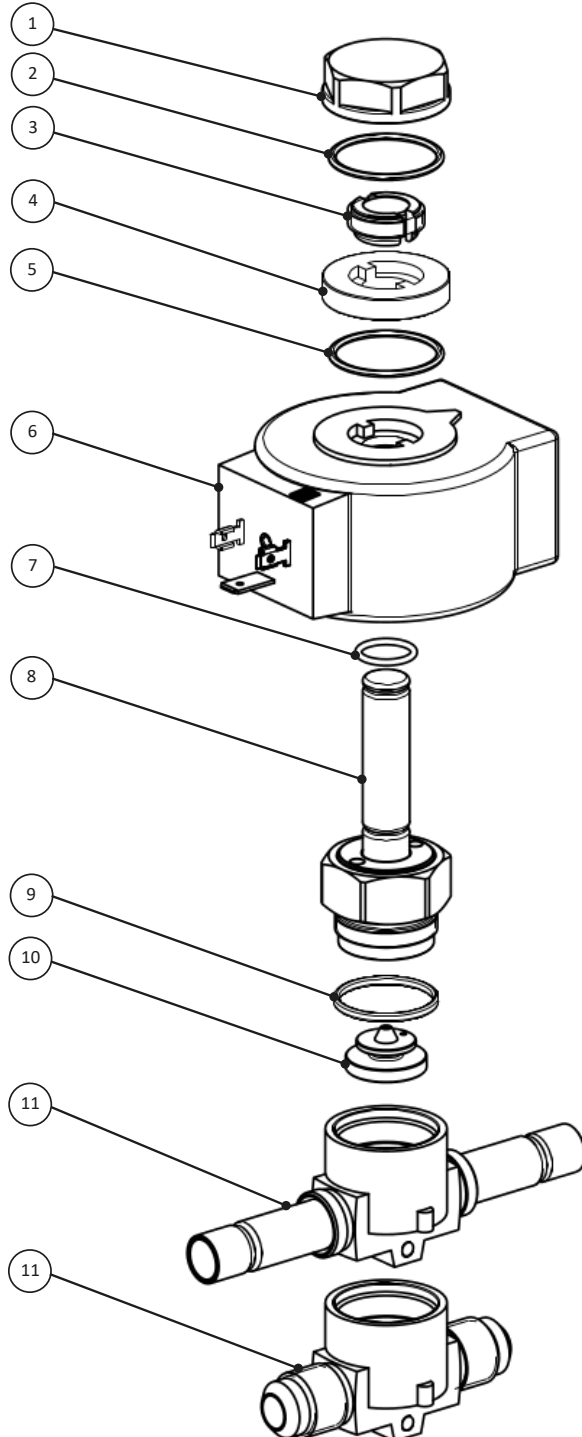
1)	LOCKING NUT
2)	O-RING
3)	SCREW
4)	SPACER
5)	O-RING
6)	COIL
7)	O-RING
8)	NUT + ARMATURE
9)	O-RING
10)	DIAPHRAGM
11)	DRILLED WASH
12)	BODY

FIG. 15

SOLENOID VALVES

TYPE 1134/.. - 1138N/.. (CLASSIC)

1134N/.. - 1138N/.. (POLYHEDRA)



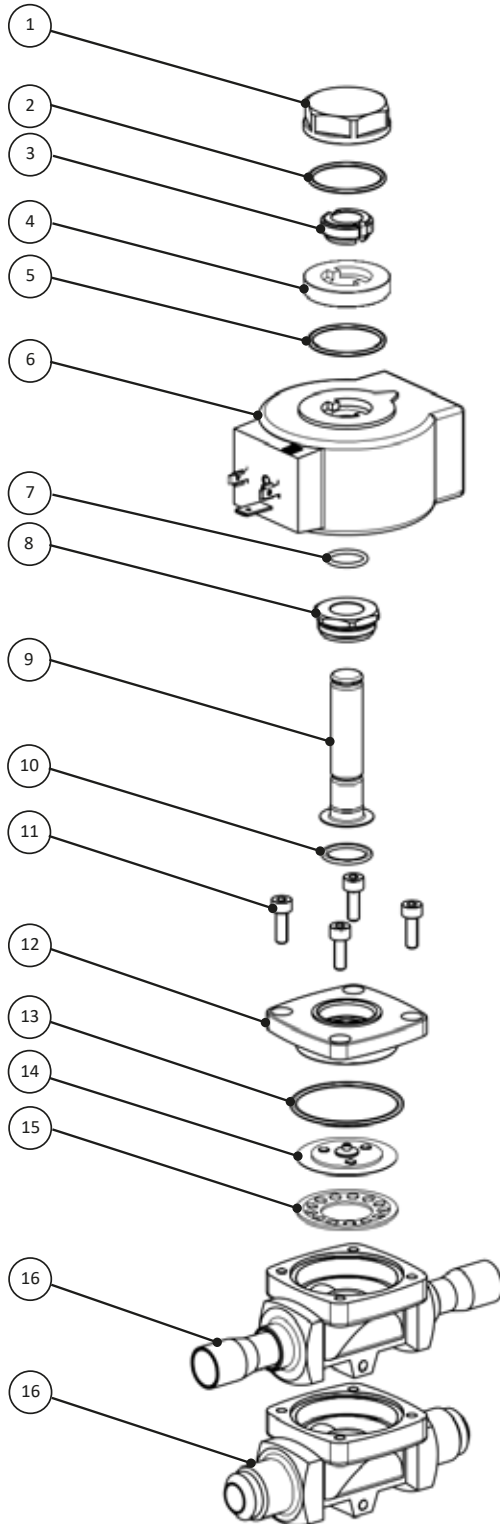
1)	LOCKING NUT
2)	O-RING
3)	SCREW
4)	SPACER
5)	O-RING
6)	COIL
7)	O-RING
8)	NUT + ARMATURE
9)	O-RING
10)	PISTON
11)	BODY

FIG. 16

SOLENOID VALVES

TYPE 1170/.. - 1178/.. (CLASSIC)

1170N/.. - 1178N/.. (POLYHEDRA)



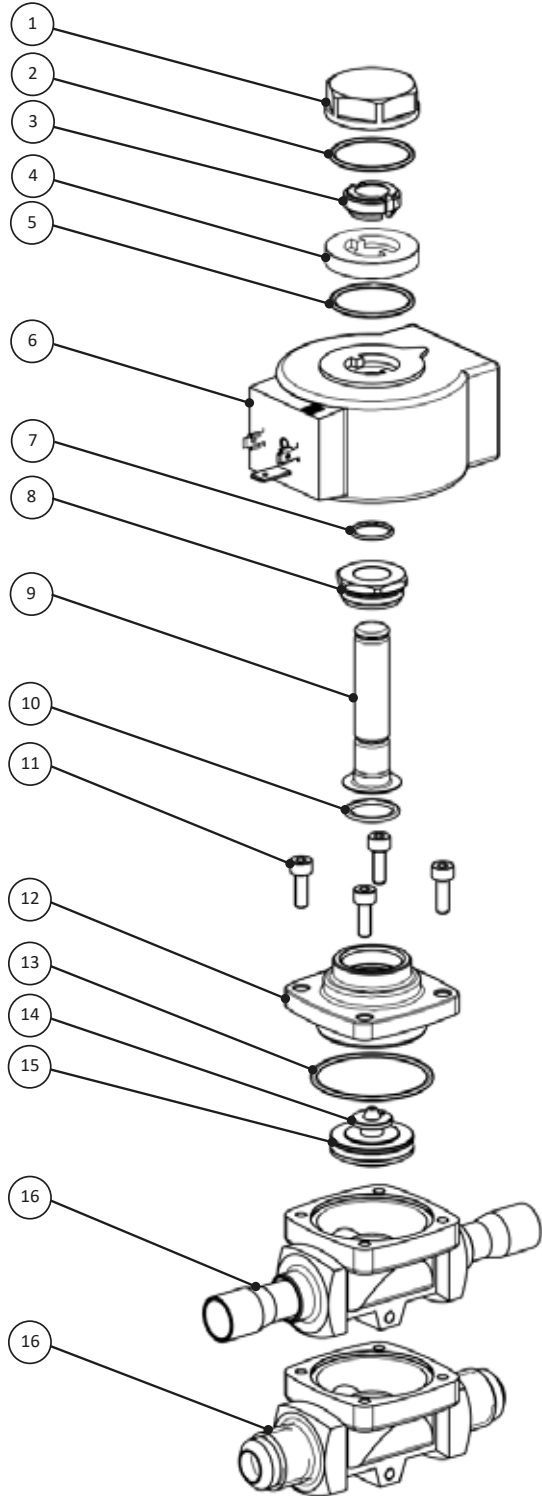
1)	LOCKING NUT
2)	O-RING
3)	SCREW
4)	SPACER
5)	O-RING
6)	COIL
7)	O-RING
8)	NUT
9)	ARMATURE
10)	O-RING
11)	SCREW
12)	COVER
13)	O-RING
14)	DIAPHRAGM
15)	DRILLED WASH
16)	BODY

FIG. 17

SOLENOID VALVES

TYPE 1140/.. - 1148N/.. (CLASSIC)

1140N/.. - 1148N/.. (POLYHEDRA)



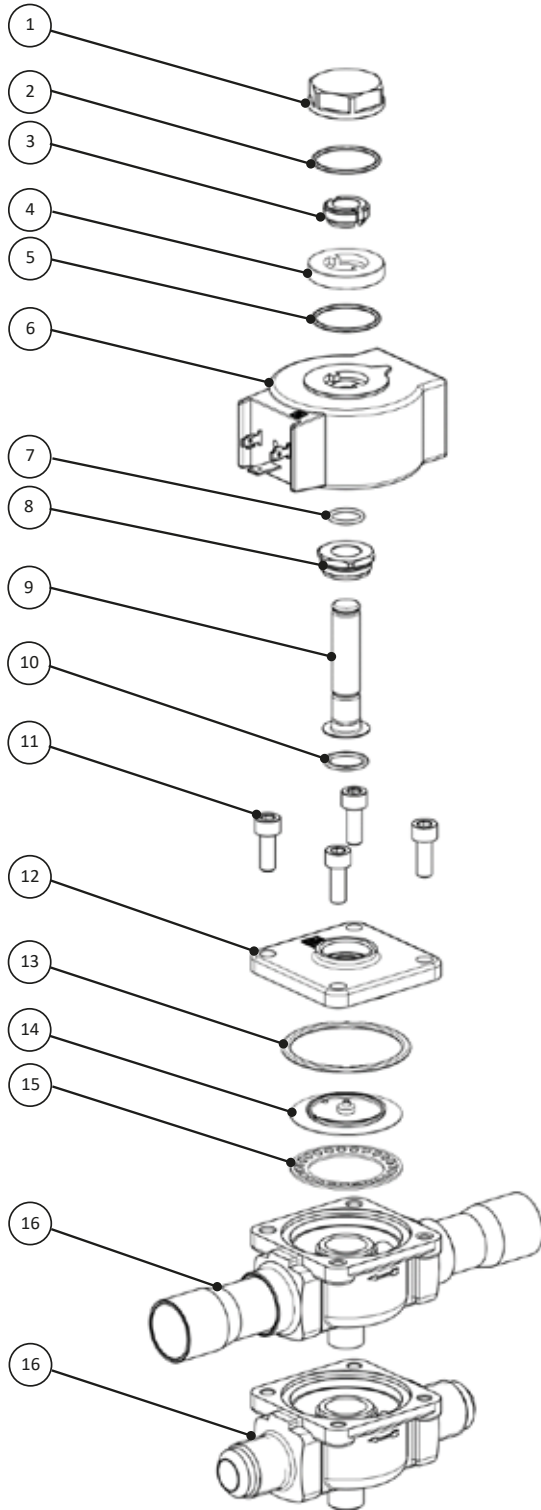
1)	LOCKING NUT
2)	O-RING
3)	SCREW
4)	SPACER
5)	O-RING
6)	COIL
7)	O-RING
8)	NUT
9)	ARMATURE
10)	O-RING
11)	SCREW
12)	COVER
13)	O-RING
14)	PISTON
15)	PISTON RING
16)	BODY

FIG. 18

SOLENOID VALVES

TYPE 1190/.. – 1198/.. (CLASSIC)

1190N/.. – 1198N/.. (POLYHEDRA)



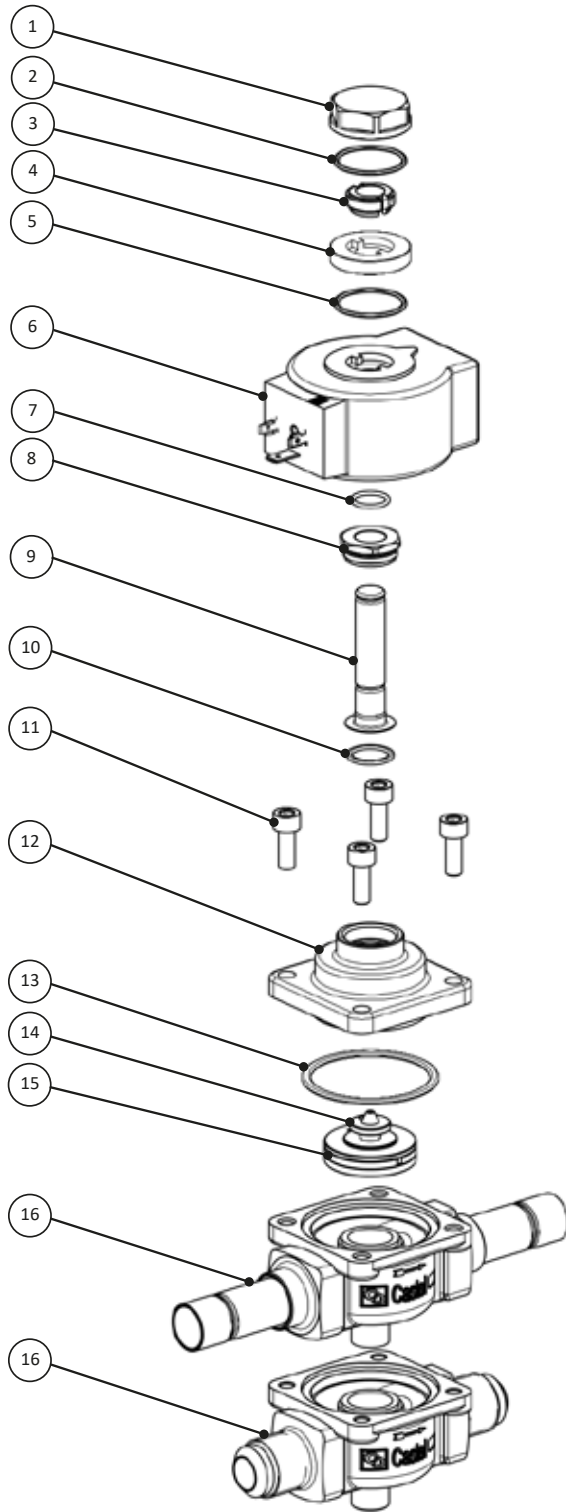
1)	LOCKING NUT
2)	O-RING
3)	SCREW
4)	SPACER
5)	O-RING
6)	COIL
7)	O-RING
8)	NUT
9)	ARMATURE
10)	O-RING
11)	SCREW
12)	COVER
13)	O-RING
14)	DIAPHRAGM
15)	DRILLED WASH
16)	BODY

FIG. 19

SOLENOID VALVES

TYPE 1150/.. - 1158N/.. (CLASSIC)

1150N/.. - 1158N/.. (POLYHEDRA)



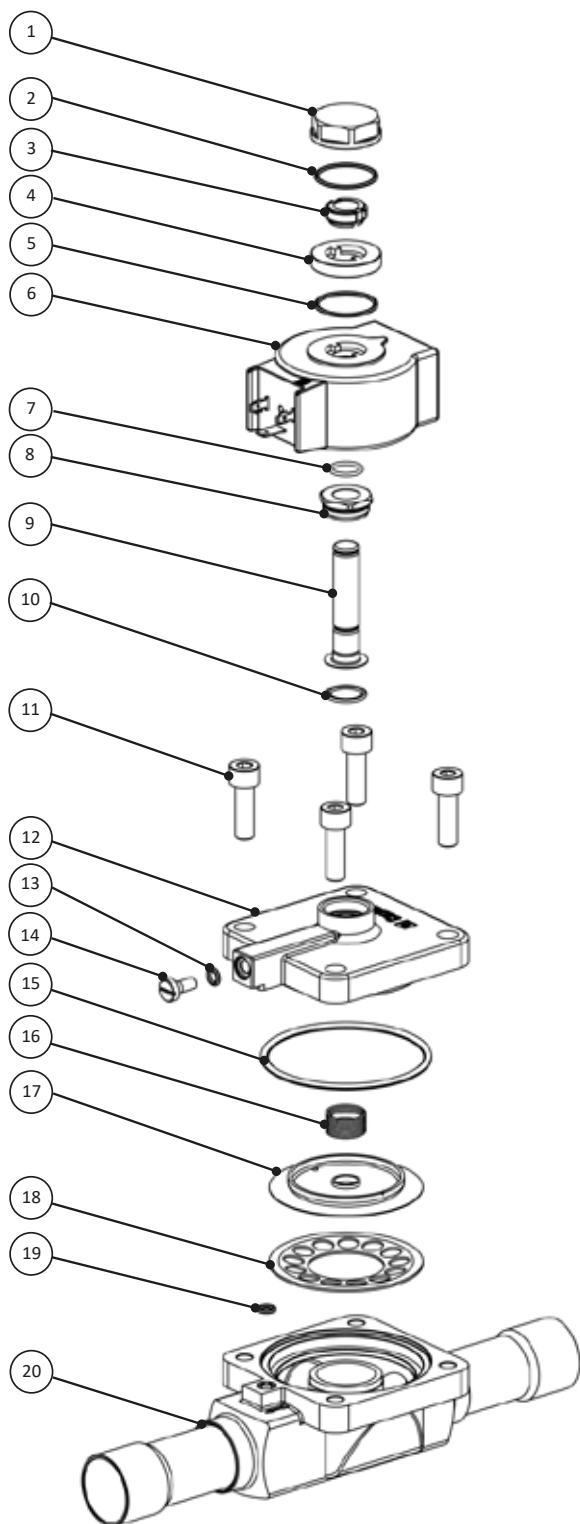
1)	LOCKING NUT
2)	O-RING
3)	SCREW
4)	SPACER
5)	O-RING
6)	COIL
7)	O-RING
8)	NUT
9)	ARMATURE
10)	O-RING
11)	SCREW
12)	COVER
13)	O-RING
14)	PISTON
15)	PISTON RING
16)	BODY

FIG. 20

SOLENOID VALVES

TYPE 1178/9 (CLASSIC)

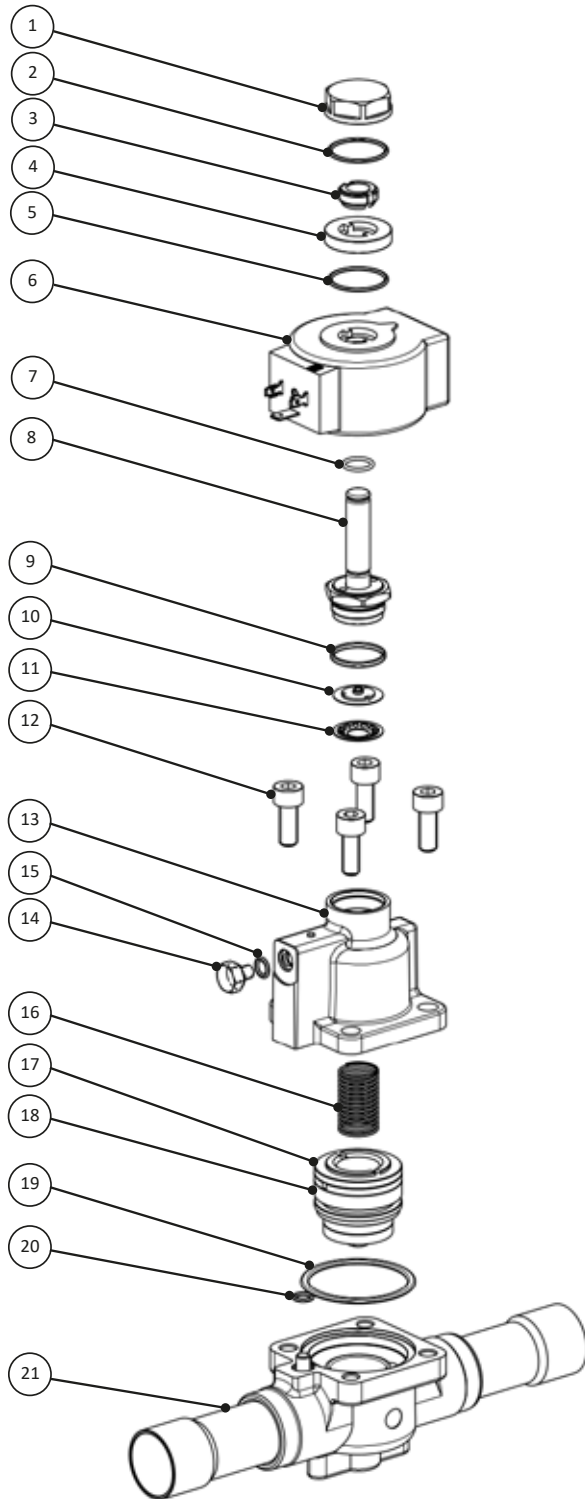
1178N/9 (POLYHEDRA)



1)	LOCKING NUT
2)	O-RING
3)	SCREW
4)	SPACER
5)	O-RING
6)	COIL
7)	O-RING
8)	NUT
9)	ARMATURE
10)	O-RING
11)	SCREW
12)	COVER
13)	O-RING
14)	DIAPHRAGM
15)	DRILLED WASH
16)	BODY

FIG. 21

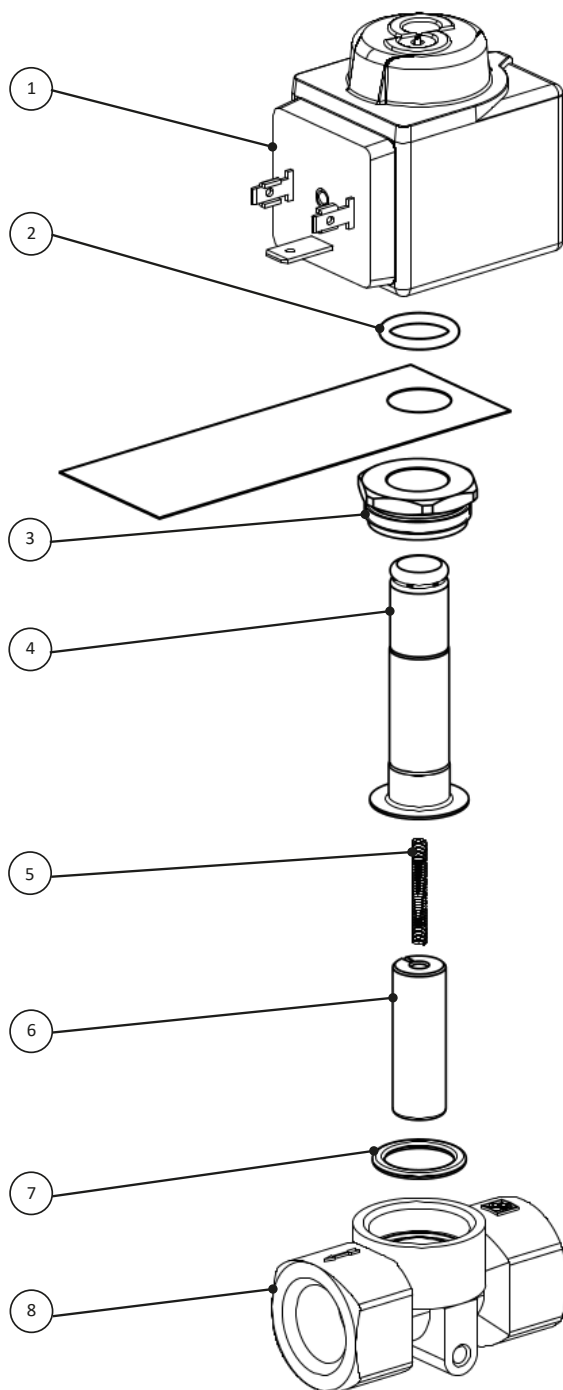
SOLENOID VALVES
TYPE 1178/.. - 1198/.. (CLASSIC)
1198N/.. (POLYHEDRA)



1)	LOCKING NUT
2)	O-RING
3)	SCREW
4)	SPACER
5)	O-RING
6)	COIL
7)	O-RING
8)	NUT + ARMATURE
9)	O-RING
10)	DIAPHRAGM
11)	DRILLED WASH
12)	SCREW
13)	COVER
14)	SCREW
15)	O-RING
16)	SPRING
17)	PISTON
18)	PISTON RING
19)	O-RING
20)	O-RING
21)	BODY

FIG. 22

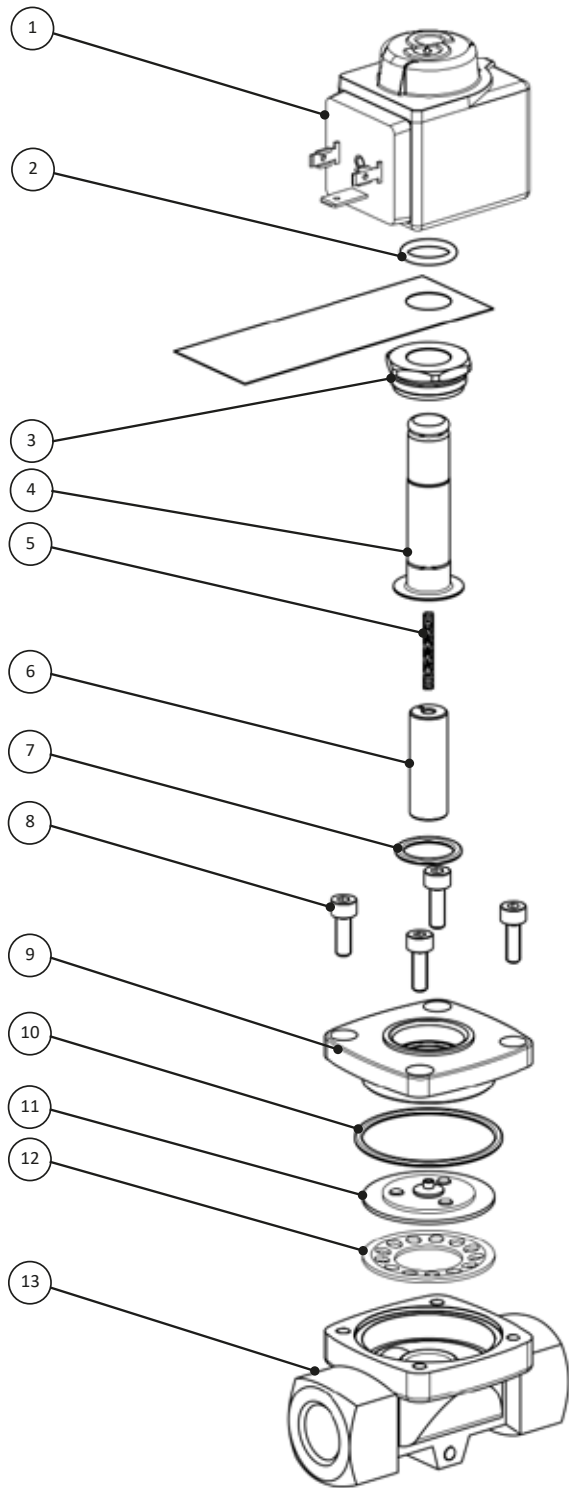
SOLENOID VALVES TYPE 1512/.. - 1522/.. (CLASSIC)



1)	COIL
2)	O-RING
3)	NUT
4)	ARMATURE
5)	SPRING
6)	PLUNGER
7)	O-RING
8)	BODY

FIG. 23

SOLENOID VALVES TYPE 1132/03 - 1132/04 (CLASSIC)

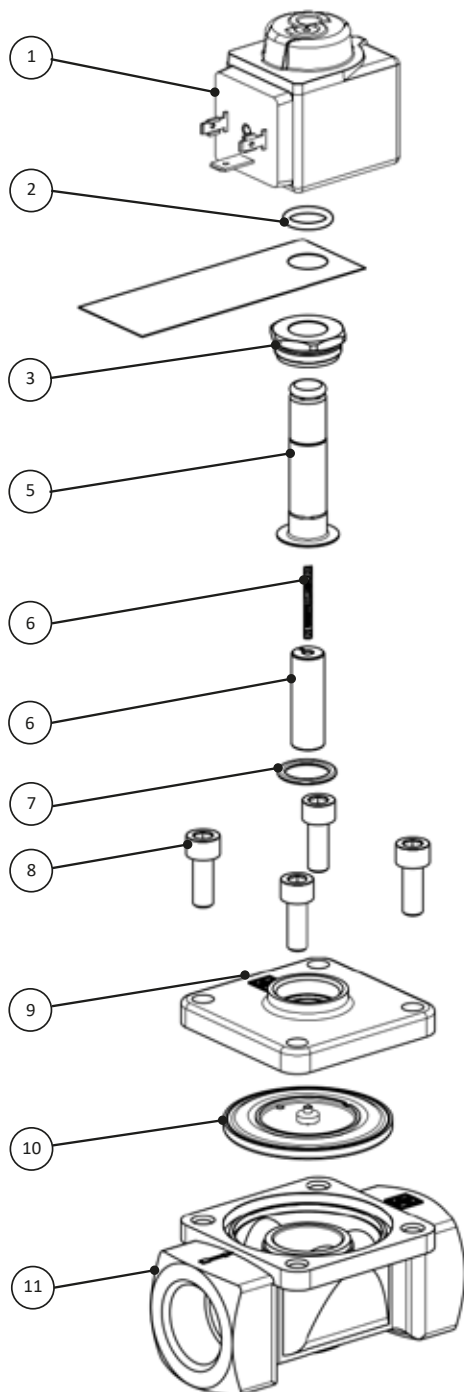


1)	COIL
2)	O-RING
3)	NUT
4)	ARMATURE
5)	SPRING
6)	PLUNGER
7)	O-RING
8)	SCREW
9)	COVER
10)	O-RING
11)	DIAPHRAGM
12)	DRILLED WASH
13)	BODY

FIG. 24

SOLENOID VALVES

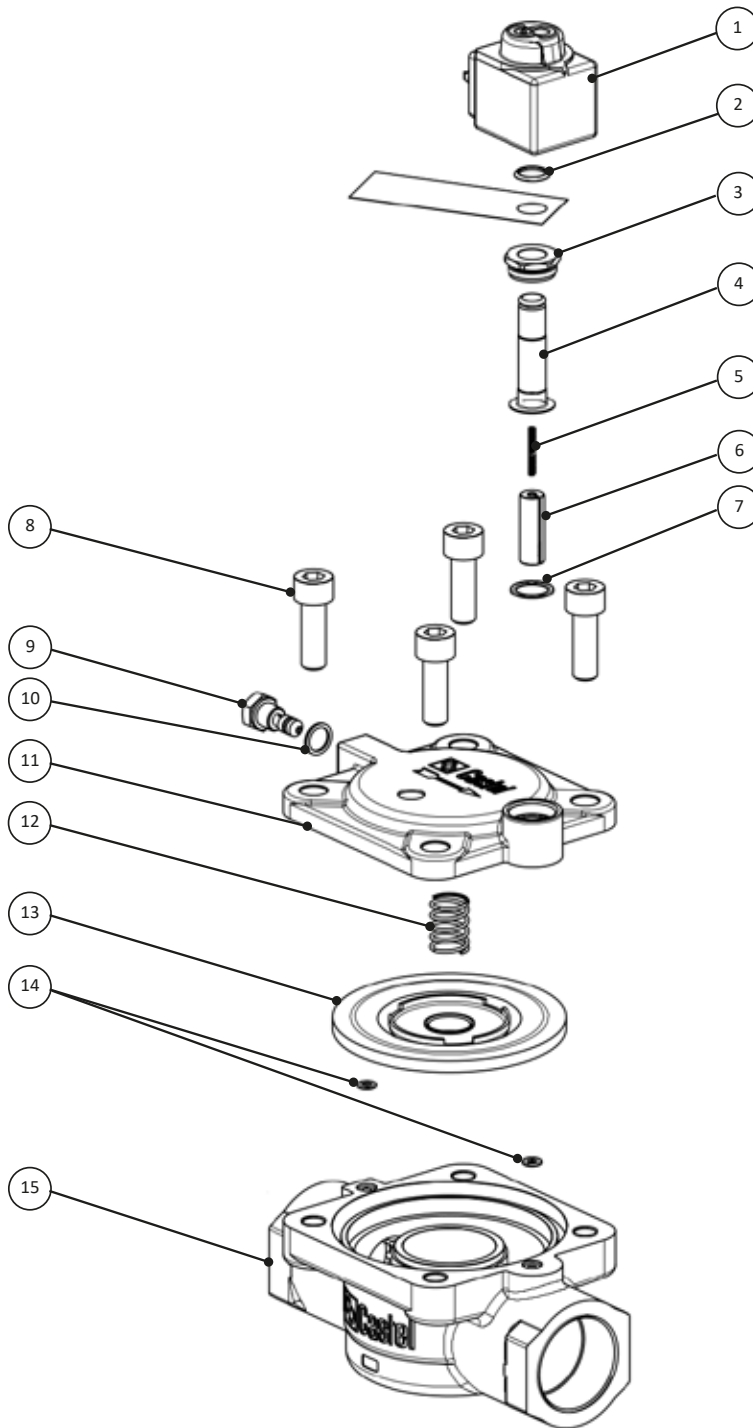
TYPE 1132/06.. - 1132/08 (CLASSIC)



1)	COIL
2)	O-RING
3)	NUT
4)	ARMATURE
5)	SPRING
6)	PLUNGER
7)	O-RING
8)	SCREW
9)	COVER
10)	DIAPHRAGM
11)	BODY

FIG. 25

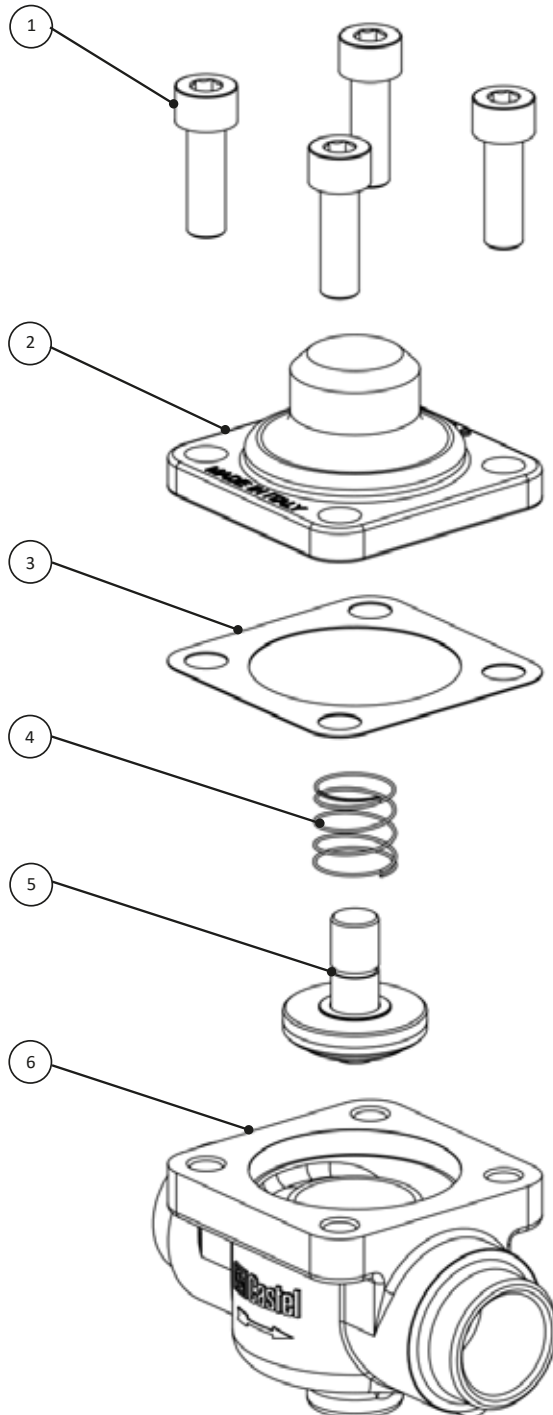
SOLENOID VALVES TYPE 1142/.. (CLASSIC)



1)	COIL
2)	O-RING
3)	NUT
4)	ARMATURE
5)	SPRING
6)	PLUNGER
7)	O-RING
8)	SCREW
9)	PILOT
10)	O-RING
11)	COVER
12)	SPRING
13)	DIAPHRAGM
14)	O-RING
15)	BODY

FIG. 26

CHECK VALVES
TYPE 3122/.. (CLASSIC)



1)	SCREW
2)	COVER
3)	GASKET
4)	SPRING
5)	PISTON
6)	BODY

FIG. 27

CHECK VALVES
TYPE 3124N/.. – 3125N/.. (POLYHEDRA)

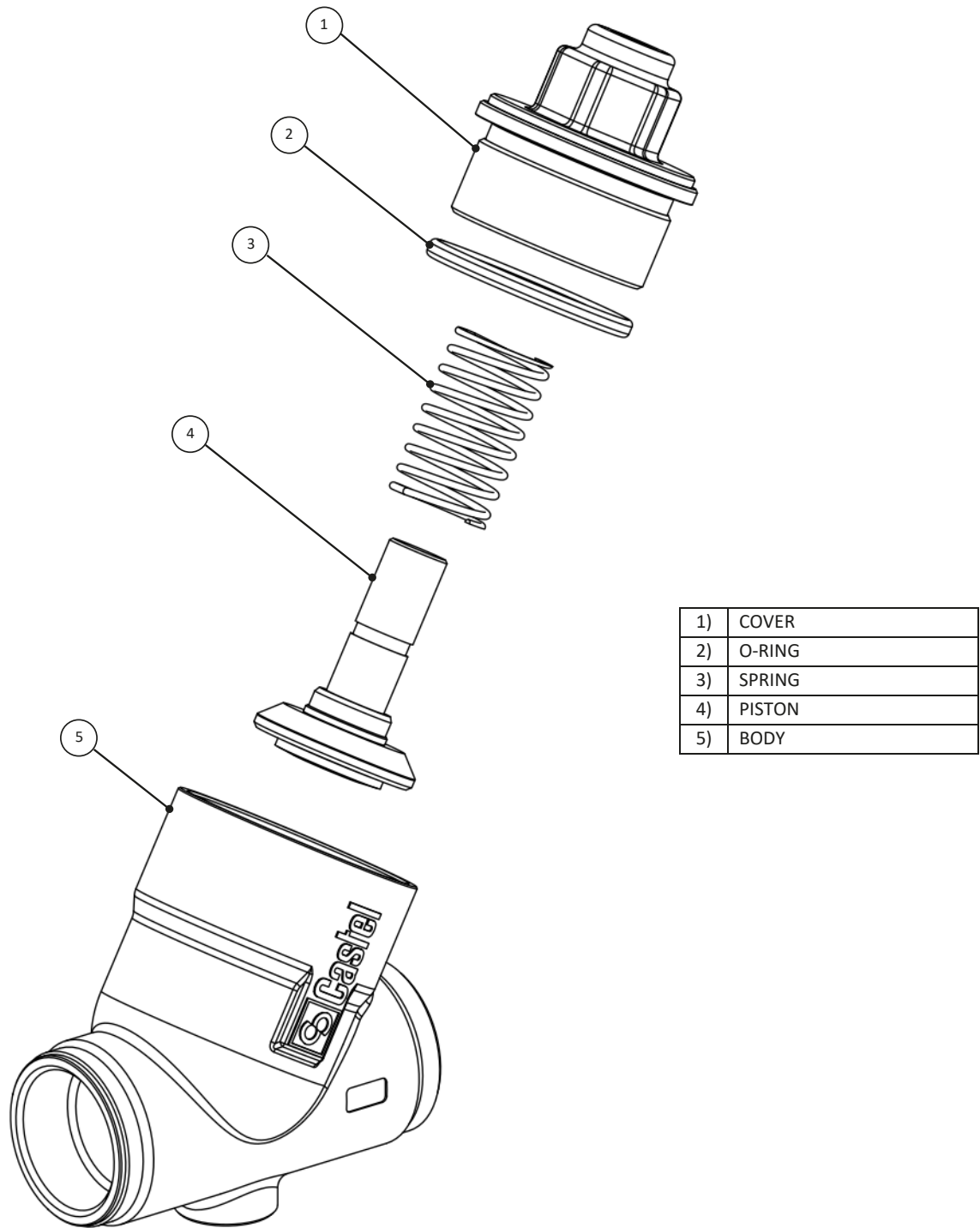
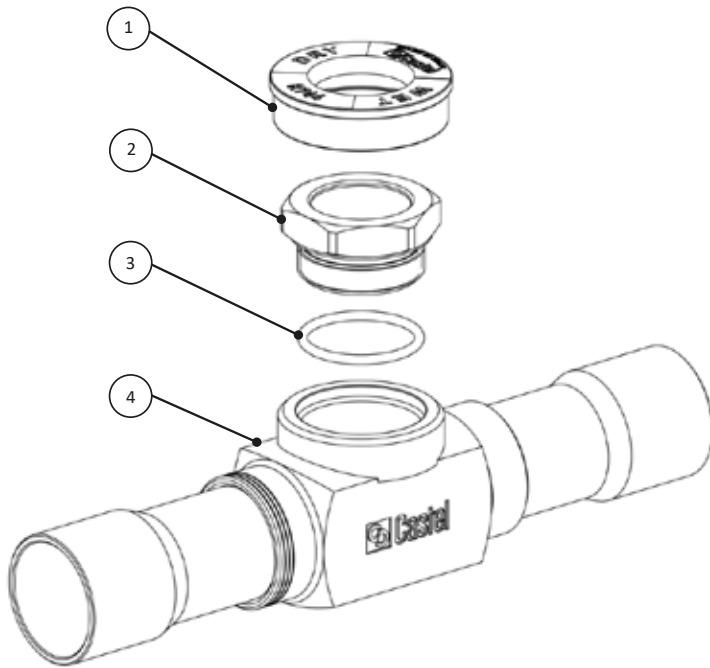


FIG. 28

MOISTURE INDICATORS
TYPE 3620/.. (CLASSIC)
3740E/.. - 3747E/.. - 3748E/.. (GO GREEN)



TYPE 3770/.. - 3771/.. (CLASSIC)
3780/.. - 3781/.. (CLASSIC)
3780N/.. (POLYHEDRA)
3777E/.. - 3778E/.. (GO GREEN)

1)	PROTECTION CAP
2)	NUT
3)	O-RING
4)	BODY

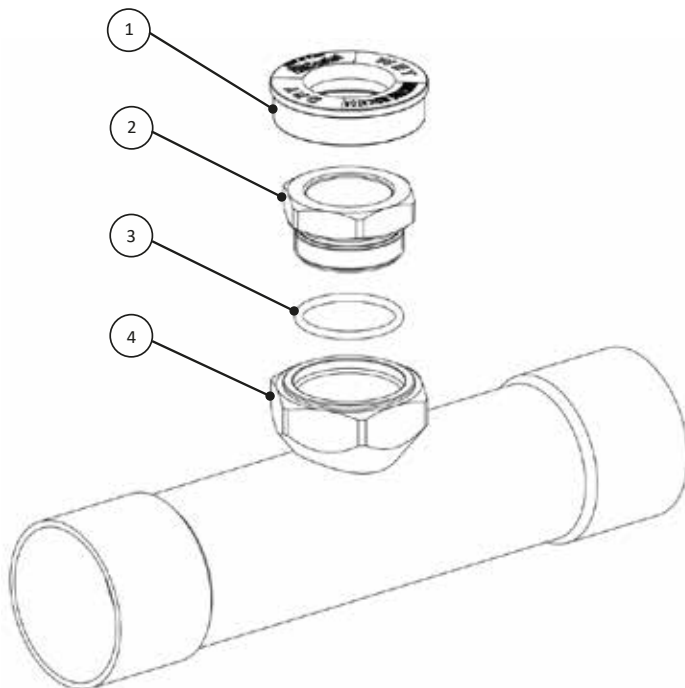
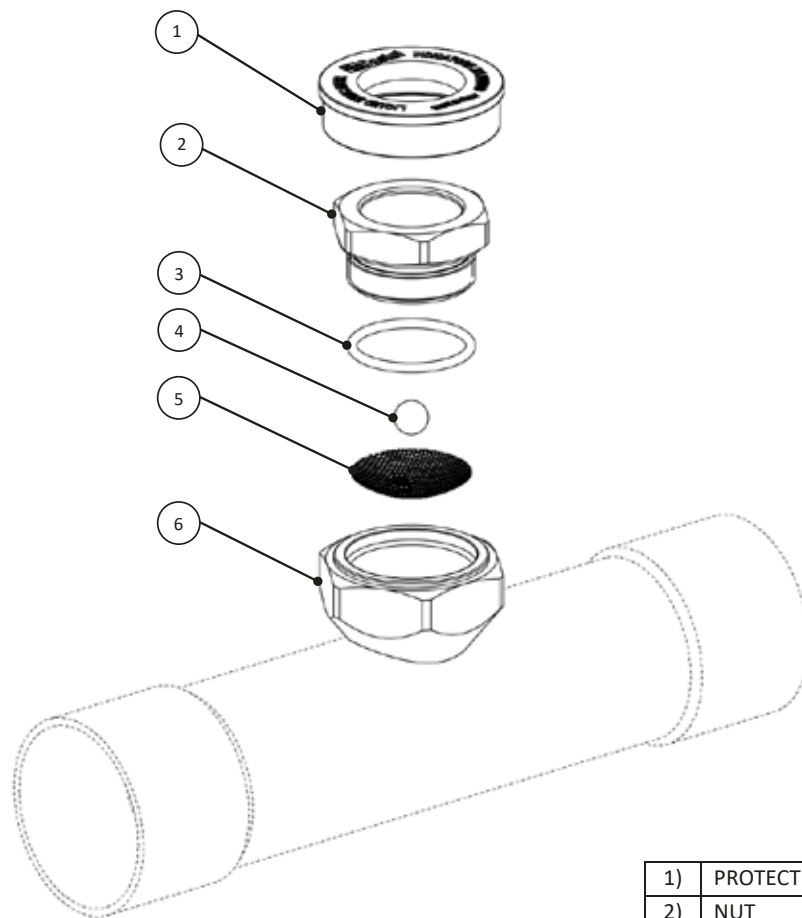


FIG. 29

LIQUID INDICATORS
TYPE 3680/.. (POLYHEDRA)



1)	PROTECTION CAP
2)	NUT
3)	O-RING
4)	BALL
5)	MESH
6)	BODY

FIG. 30

FILTER-INDICATORS
TYPE 41../.. (CLASSIC)
41..N../.. (POLYHEDRA)

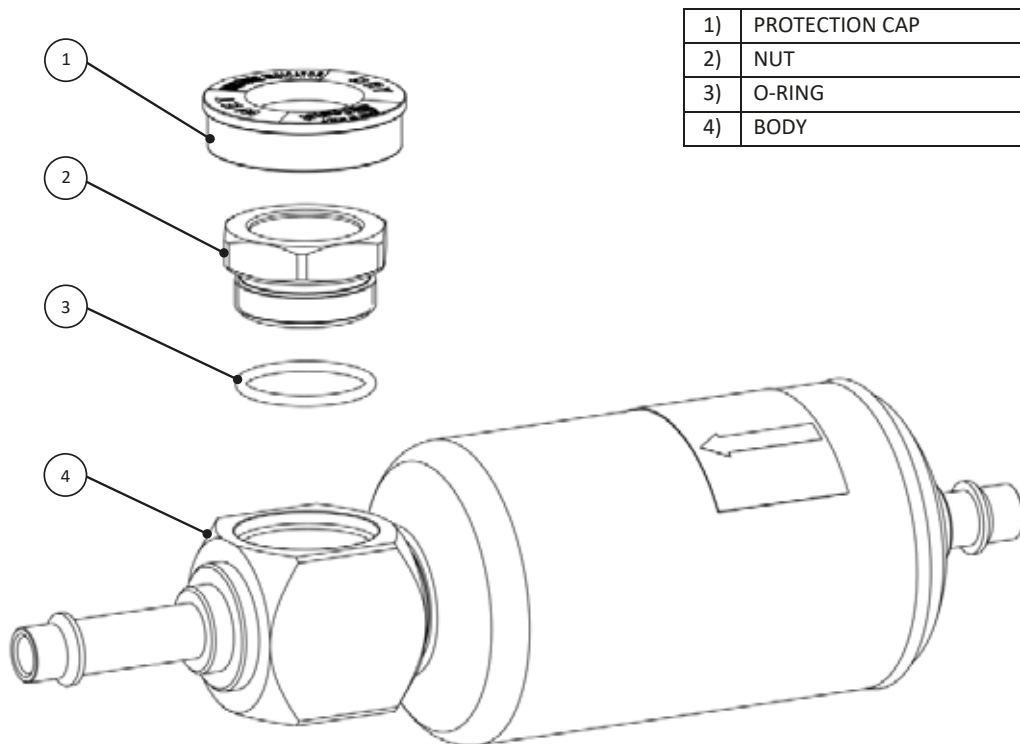


FIG. 31

FILTER DRIERS

TYPE 4411/..A - 4412/..A - 4413/..A - 4414/..A (CLASSIC)

SF411/..A - SF412/..A - SF413/..A - SF414/..A (CLASSIC)

4411/..AF - 4412/..AF - 4413/..AF - 4414/..AF (POLYHEDRA)

4411E/..AF - 4412E/..AF - 4413E/..AF - 4414E/..AF (GO GREEN)

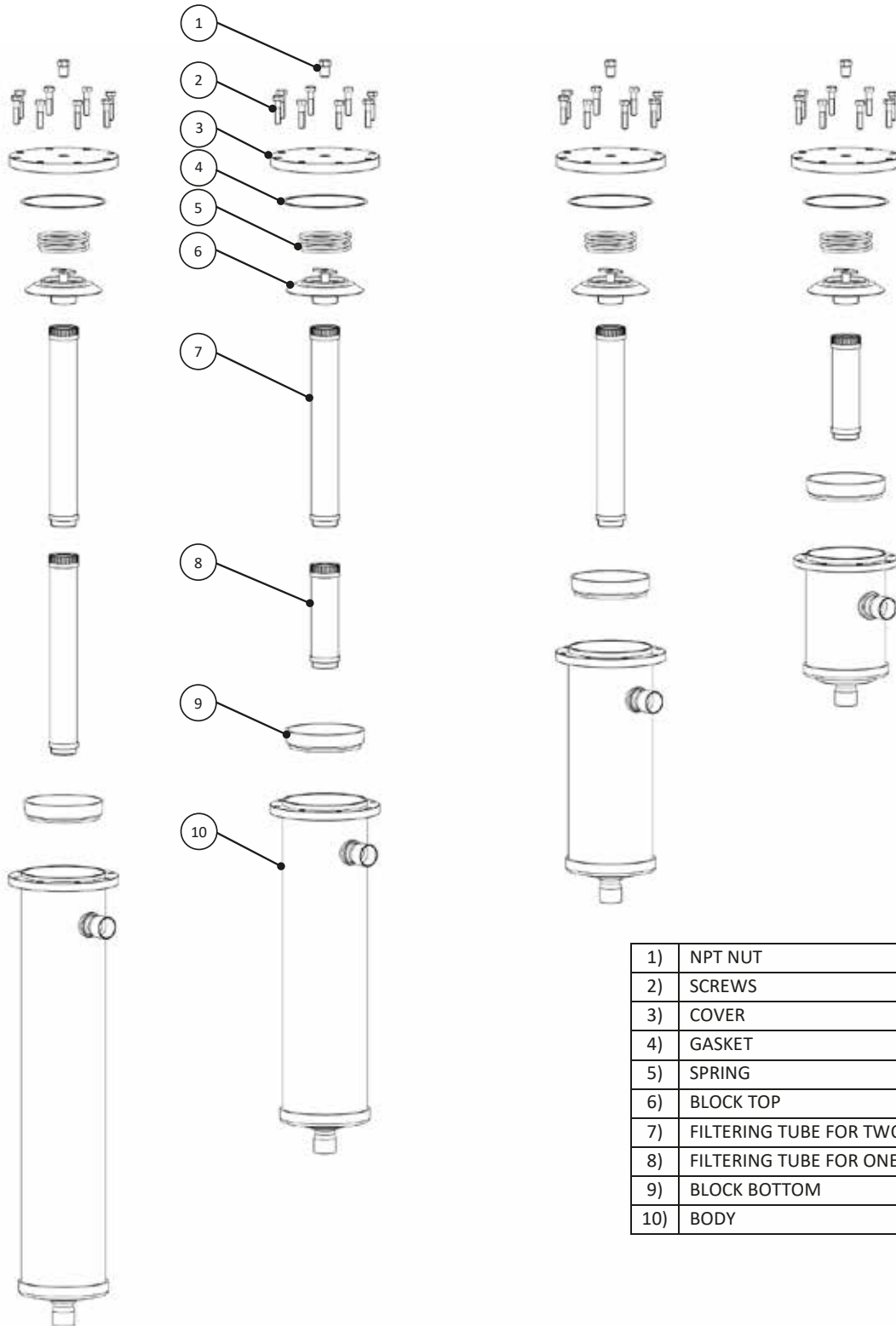


FIG. 32

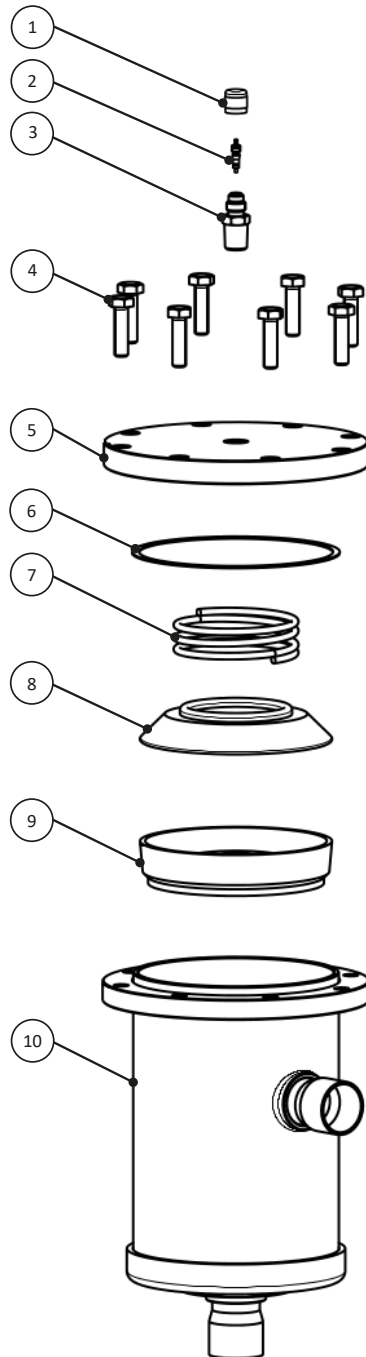
MECHANICAL FILTERS

TYPE 4411/..C (CLASSIC)

4421/..C (CLASSIC)

SF411/..C (CLASSIC)

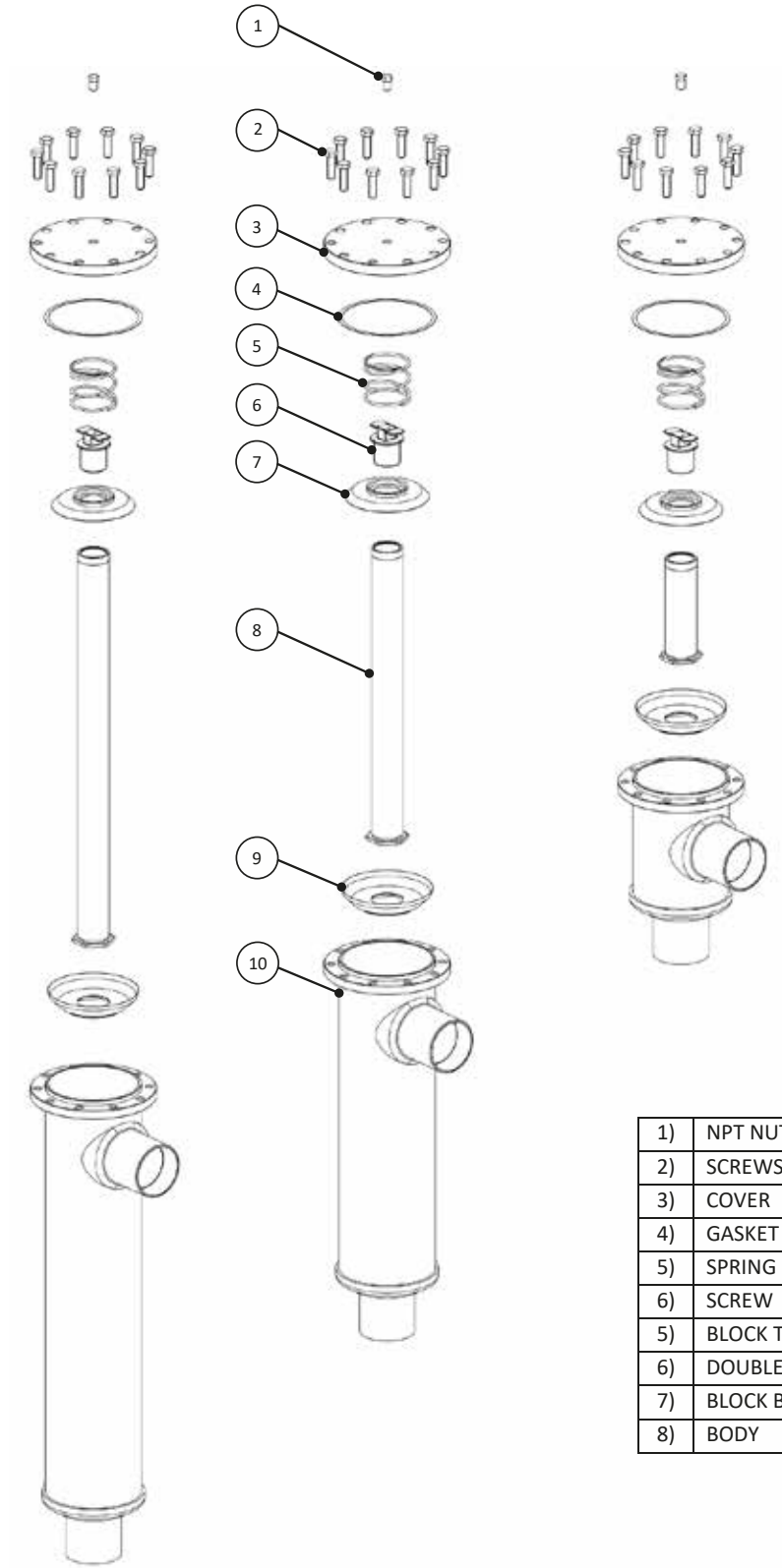
4411/..CF (POLYHEDRA)



1)	CAP WITH GASKET
2)	VALVE CORE
3)	ACCESS FITTING
4)	SCREWS
5)	COVER
6)	GASKET
7)	SPRING
8)	BLOCK TOP
9)	BLOCK BOTTOM
10)	BODY

FIG. 33

FILTER DRIERS
 TYPE 4421/..A - 4423/..A - 4424/..A (CLASSIC)



1)	NPT NUT
2)	SCREWS
3)	COVER
4)	GASKET
5)	SPRING
6)	SCREW
5)	BLOCK TOP
6)	DOUBLE FILTERING TUBE
7)	BLOCK BOTTOM
8)	BODY

FIGURES

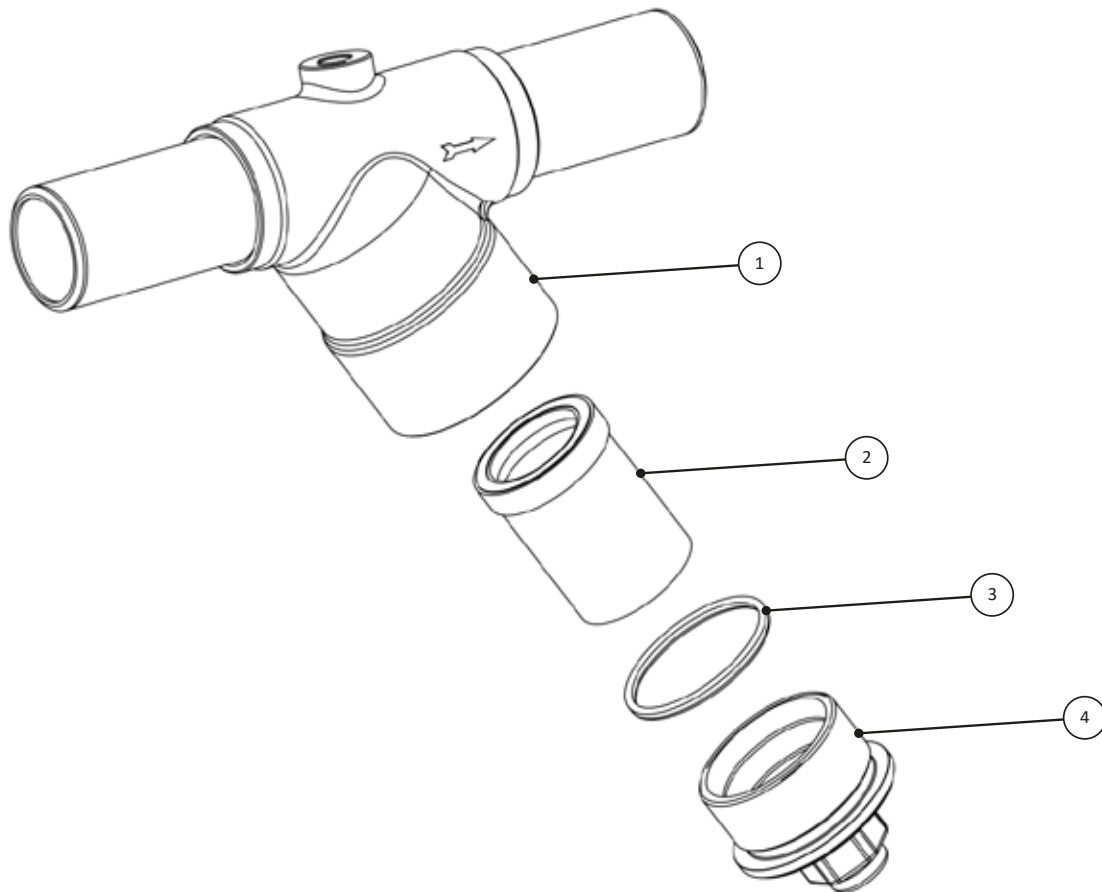
FIG. 34

STRAINERS

TYPE 4720/.. (CLASSIC)

4720N/.. (POLYHEDRA)

4727E/.. - 4728E/.. (GO GREEN)



1)	BODY
2)	FILTER
3)	O-RING
4)	COVER

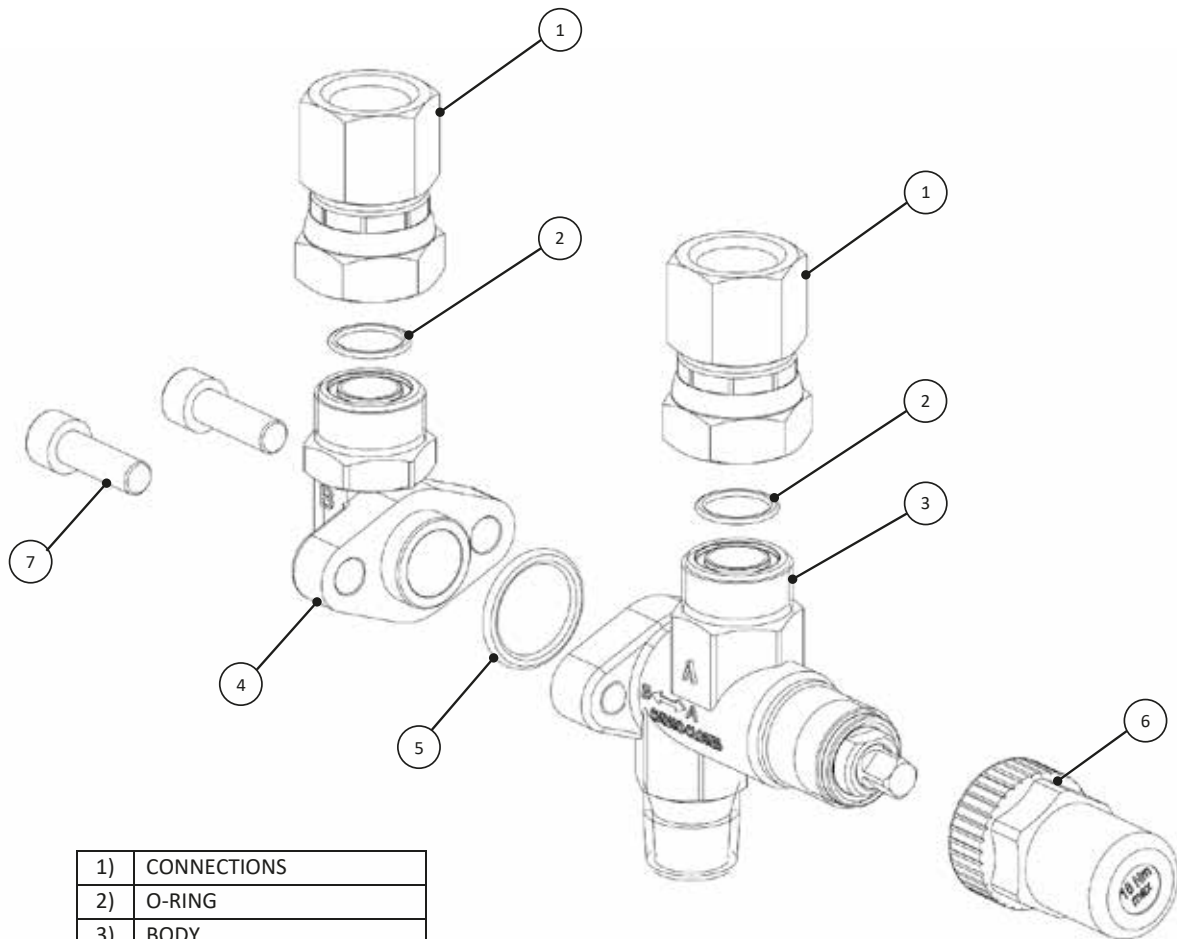
FIG. 35

CHANGEOVER VALVES

TYPE 3032/32 - 33 - 44 (CLASSIC)

3032N/32 - 33 - 44 (POLYHEDRA)

3032E/32 - 33 - 44 (GO GREEN)



1)	CONNECTIONS
2)	O-RING
3)	BODY
4)	ELBOW
5)	O-RING
6)	CAP
7)	SCREWS

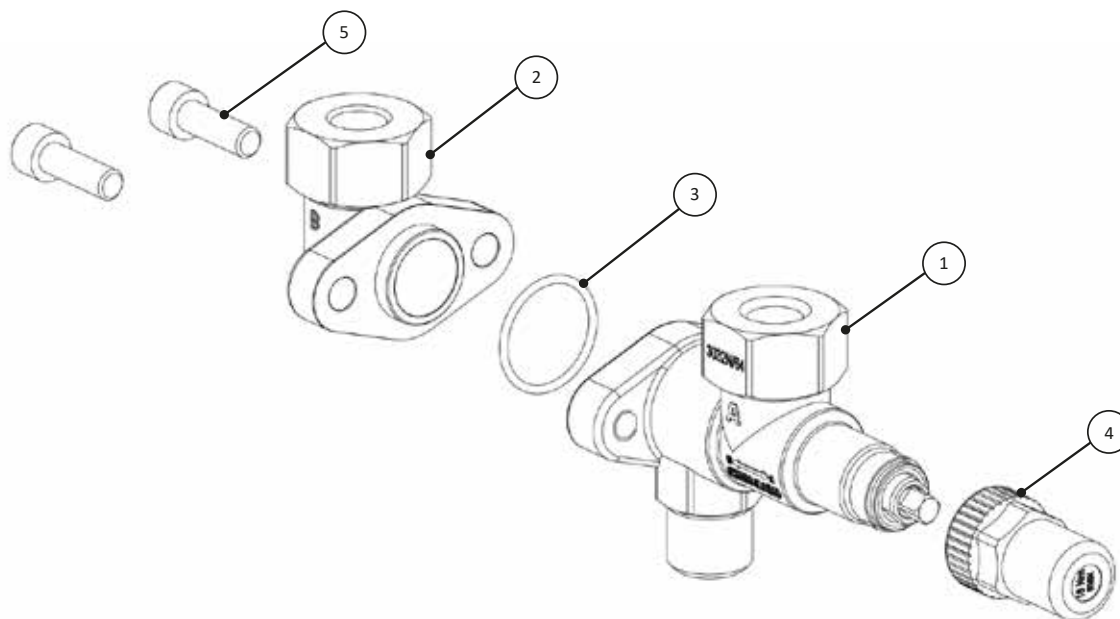
FIG. 36

CHANGEOVER VALVES

TYPE 3032/64 - 66 - 88 - 108 (CLASSIC)

3032N/64 - 66 (POLYHEDRA)

3032E/64 - 64L - 66 - 66L - 88 - 108 (GO GREEN)



1)	BODY
2)	ELBOW
3)	O-RING
4)	CAP
5)	SCREWS

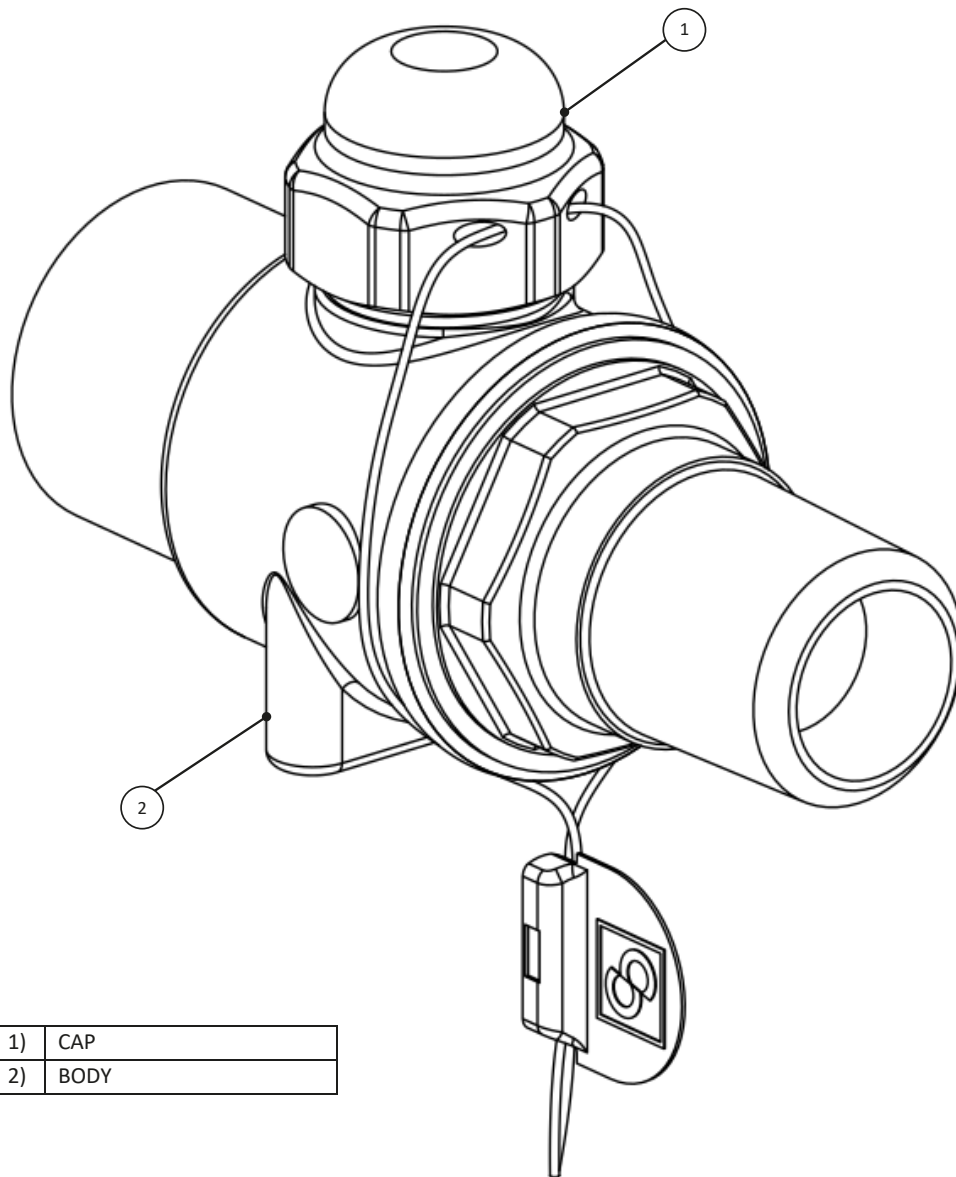
FIG. 37

SHUT-OFF VALVES

TYPE 3064/.. (CLASSIC)

3064N/.. (POLYHEDRA)

3064E/.. (GO GREEN)



1)	CAP
2)	BODY

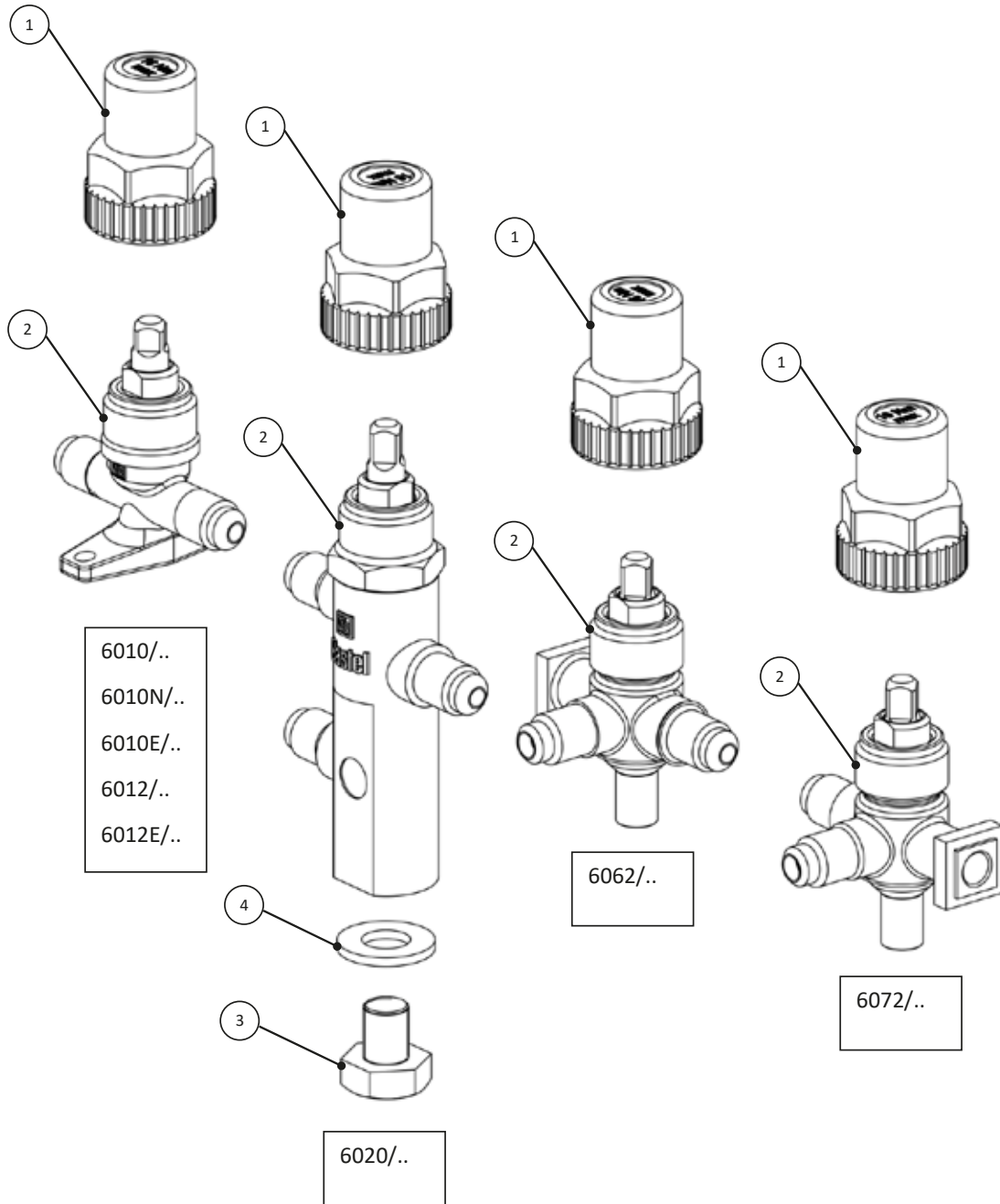
FIG. 38

HERMETIC VALVES

TYPE 6010/.. - 6012/.. - 6020/.. - 6062/.. - 6072/.. (CLASSIC)

6010N/.. (POLYHEDRA)

6010E/.. - 6012E/.. (GO GREEN)



1)	CAP
2)	BODY / VALVE
3)	SCREW
4)	SPRING WASHER

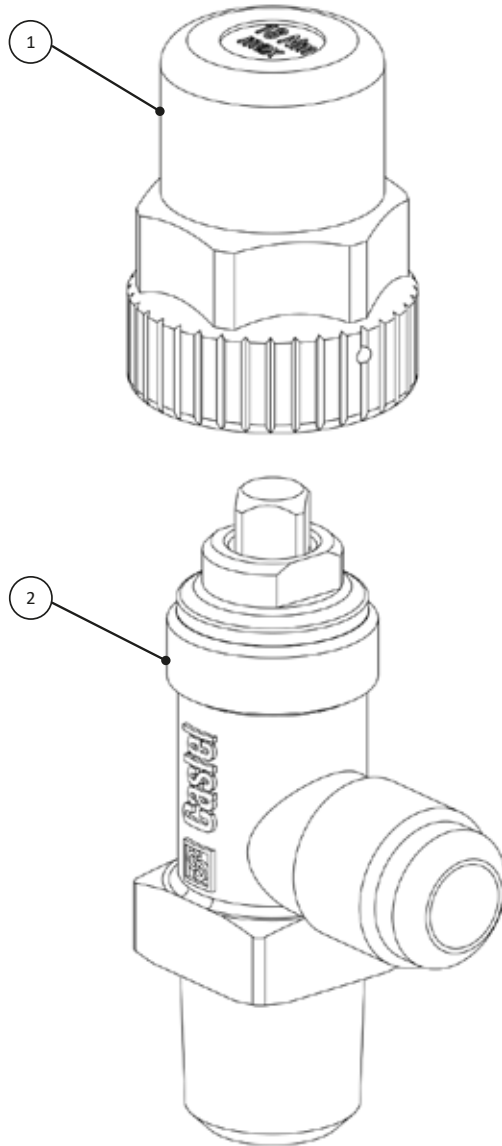
FIG. 39

RECEIVER VALVES

TYPE 6110/.. - 6120/.. (CLASSIC)

6110N/.. (POLYHEDRA)

6110E/.. - 6120E/.. (GO GREEN)

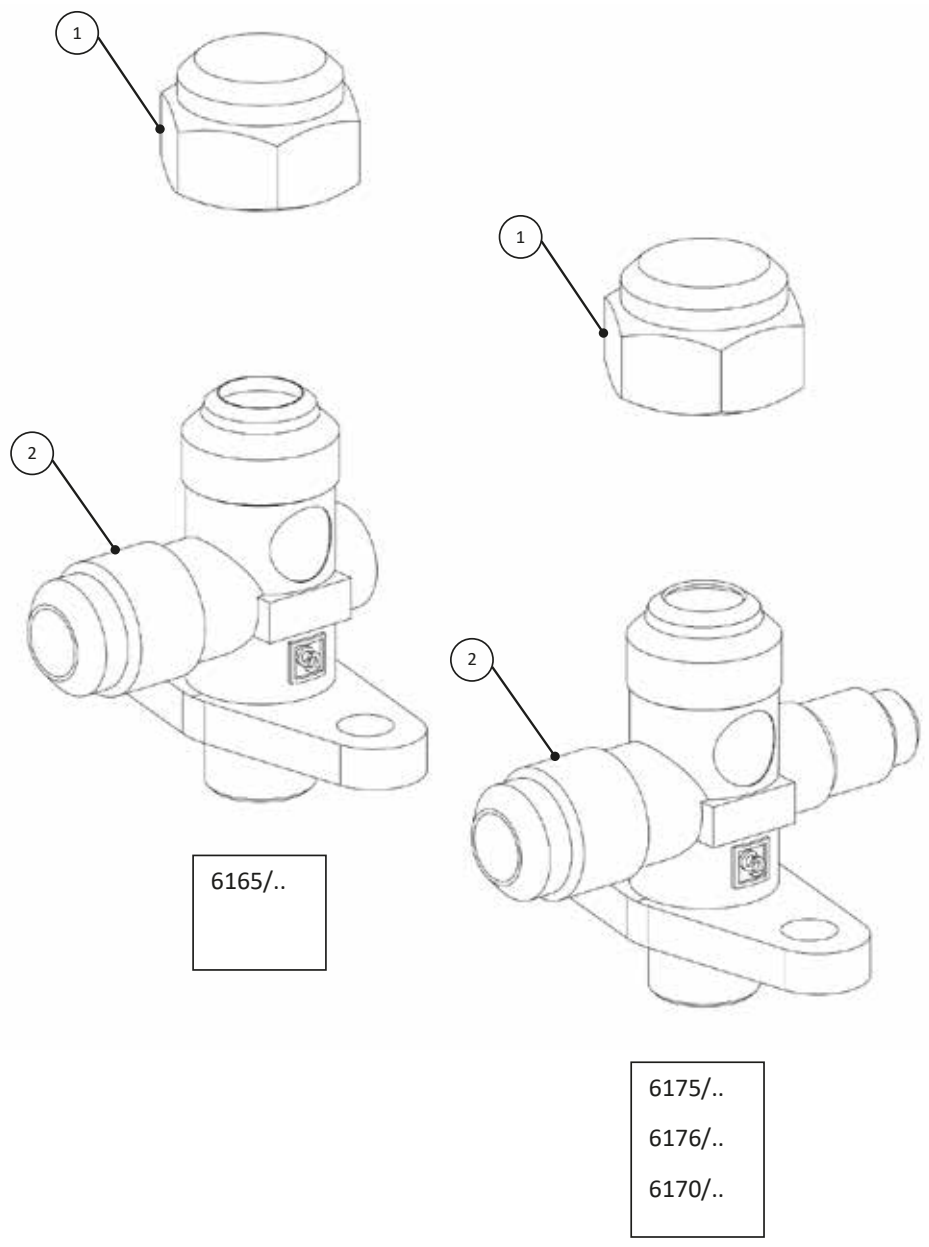


1)	CAP
2)	BODY/VALVE

FIG. 40

STOP VALVES

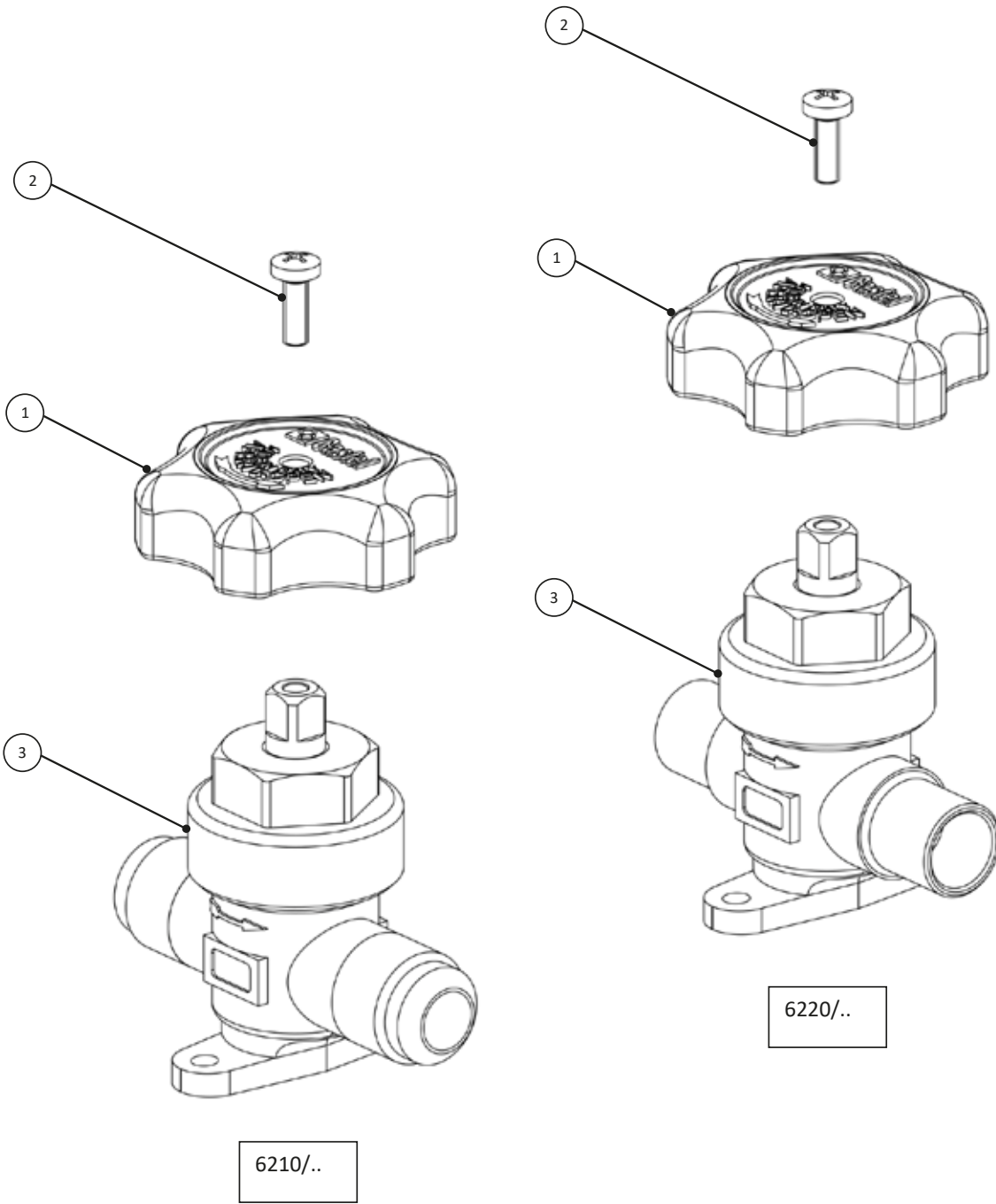
TYPE 6165/.. - 6175/.. - 6170/.. - 6176/.. (CLASSIC)



1)	CAP
2)	BODY / VALVE

FIG. 41

DIAPHRAGM VALVES
TYPE 6210/.. - 6220/.. (CLASSIC)



1)	RED HANDLE
2)	SCREW
3)	BODY/VALVE

FIGURES

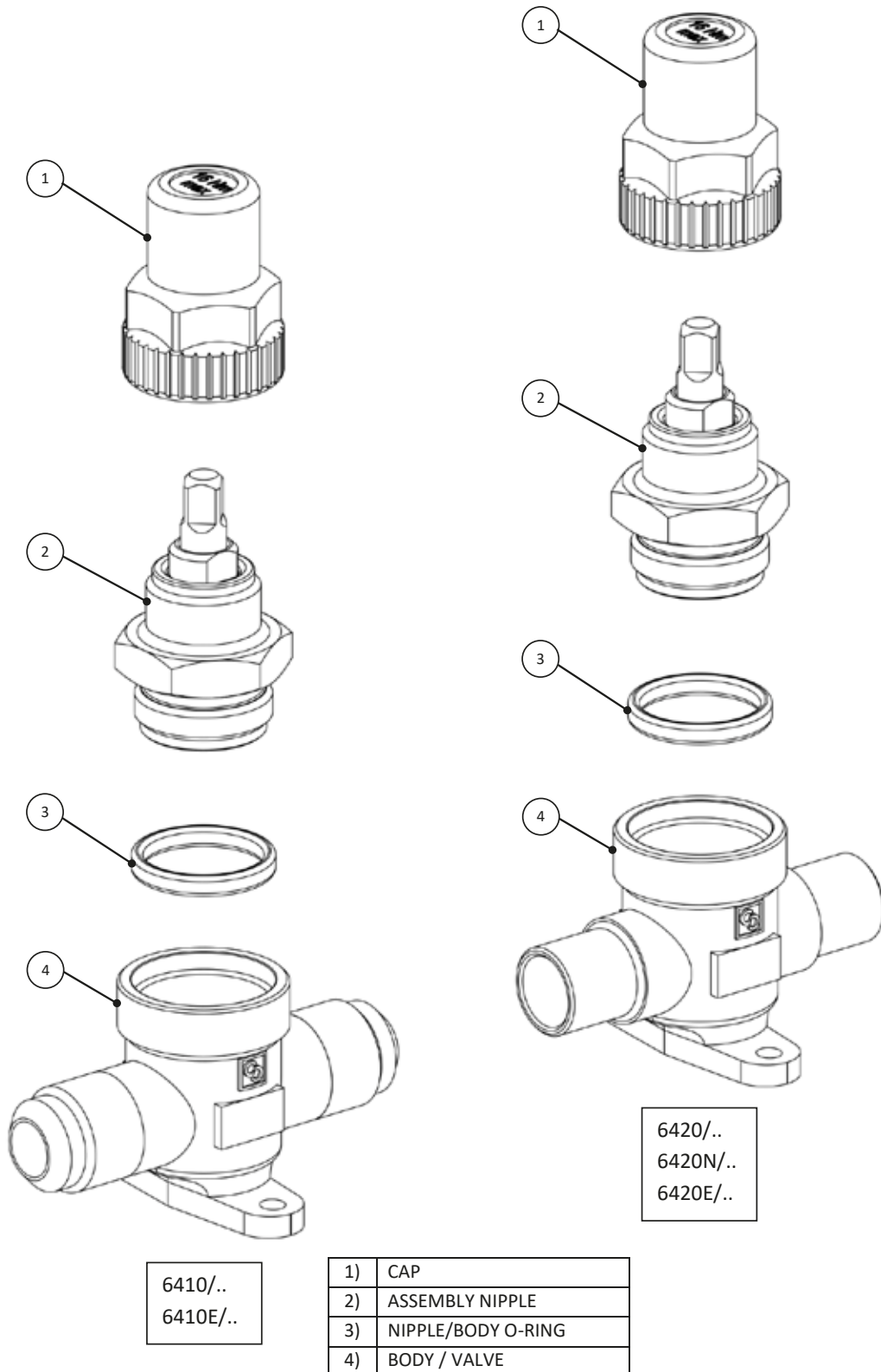
FIG. 42

CAPPED VALVES

TYPE 6410/.. - 6420/.. (CLASSIC)

6420N/.. (POLYHEDRA)

6410E/.. - 6420E/.. (GO GREEN)



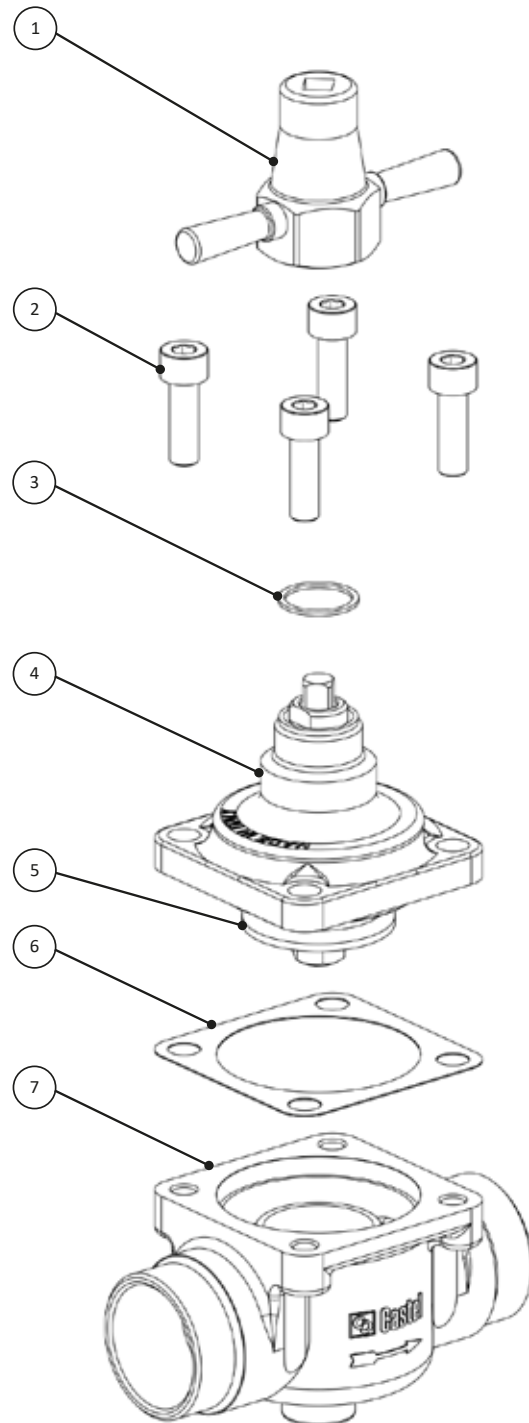
6410/..
6410E/..

6420/..
6420N/..
6420E/..

1)	CAP
2)	ASSEMBLY NIPPLE
3)	NIPPLE/BODY O-RING
4)	BODY / VALVE

FIG. 43

GLOBE VALVES TYPE 6512/.. (CLASSIC)



1)	CAP
2)	SCREWS
3)	CAP GASKET
4)	COVER ASSEMBLY
5)	PISTON
6)	GASKET
7)	BODY

FIG. 44

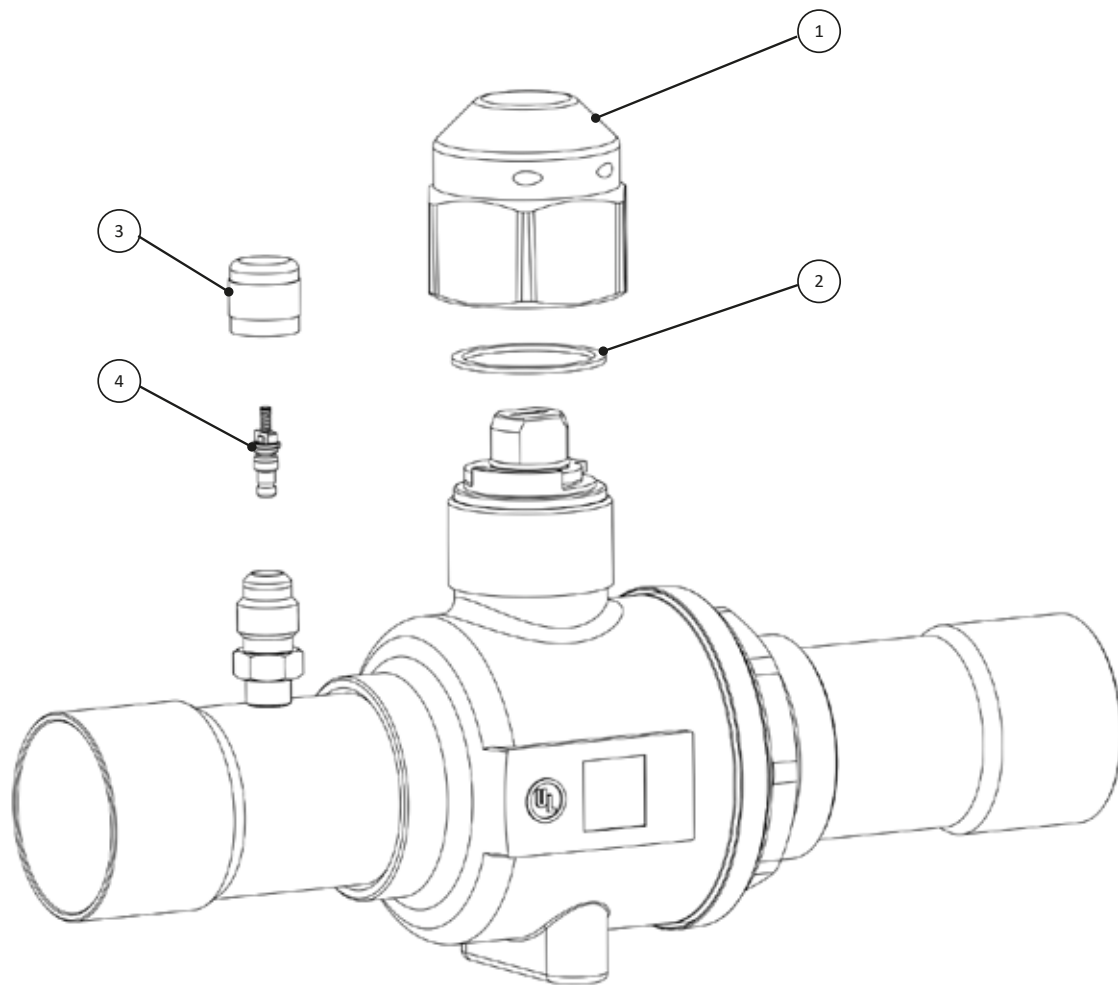
BALL VALVES

TYPE 6570/.. - 6571/.. - 6590/.. - 6591/.. (CLASSIC)

6570N/.. - 6590N/.. (POLYHEDRA)

6570E/.. - 6570EL/.. - 6577E/.. - 6578E/.. (CO₂)

6590E/.. - 6590EL/.. - 6597E/.. - 6598E/.. (CO₂)



1)	CAP
2)	CAP GASKET
3)	CAP
4)	VALVE CORE

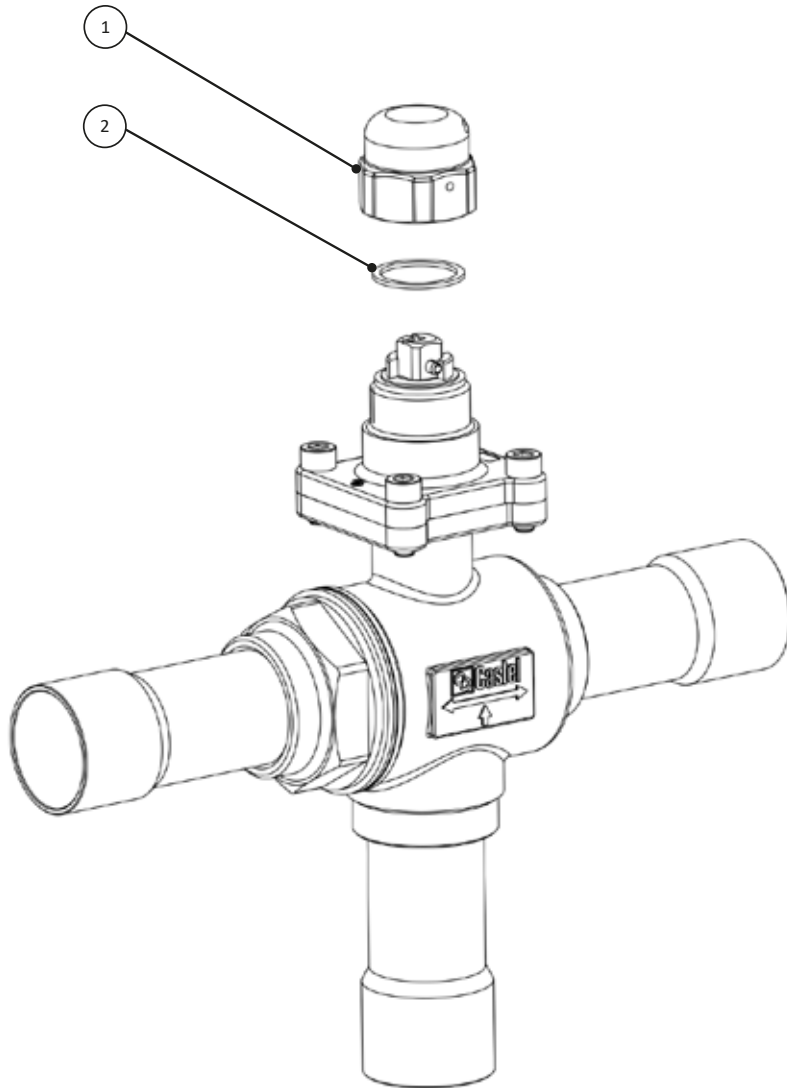
FIG. 45

3-WAYS BALL VALVES

TYPE 6690/.. (CLASSIC)

6690N/.. (POLYHEDRA)

6690E/.. - 6697E/.. - 6698E/.. (GO GREEN)



1)	CAP
2)	CAP GASKET

SPC-ED01/2019



CASTEL S.r.l.

Via Provinciale, 2-4 (C.P. 67)
20060 Pessano con Bornago (MI)

Tel. +39 02.957021
Fax +39 02.95741317

info@castel.it
castel.it

