

MAYEKAWA

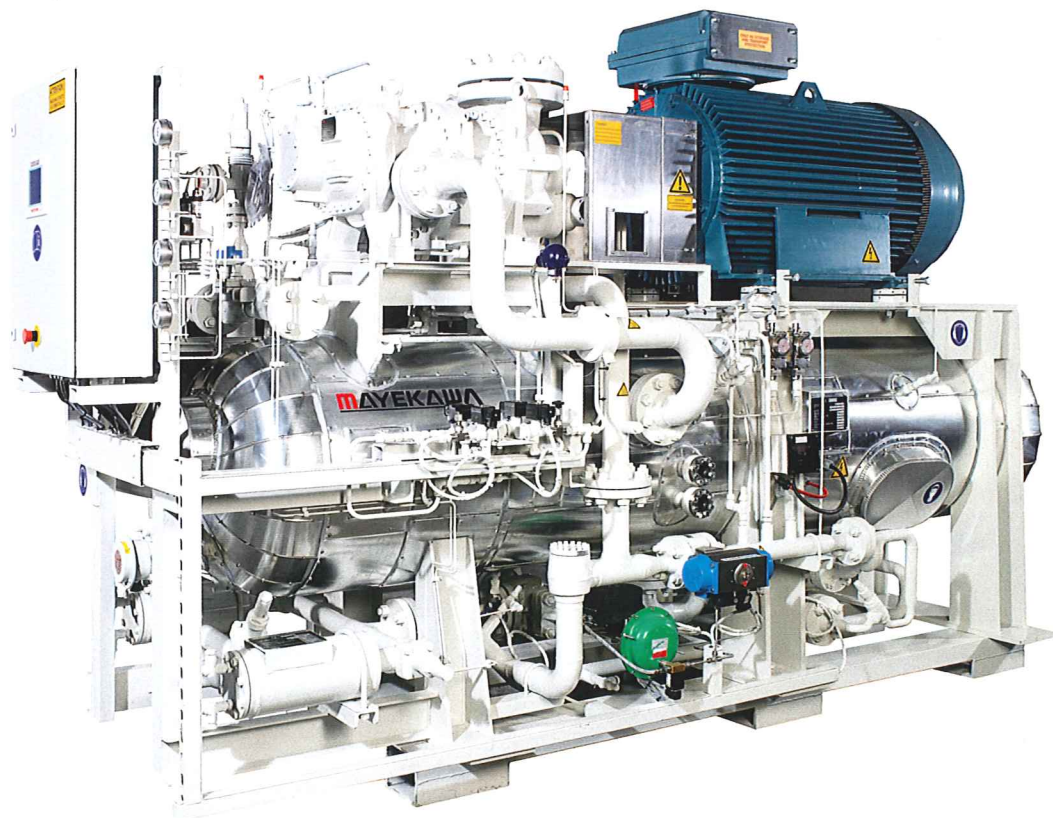
MYCOM



HIGH PRESSURE SCREW COMPRESSOR



GH-Series

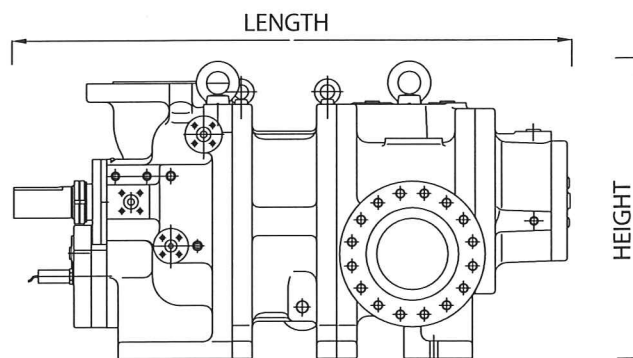
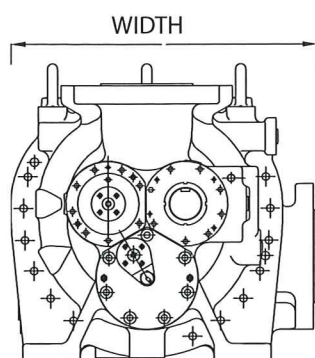


The GH-series

is a series of oil injection type screw compressors capable of running continuously at a discharge pressure of 5,0 MPaG. By employing a special rotor profile the GH-series enables a highly efficient operation. The GH-series compressors are designed for various gases: Hydrocarbons, Helium, Hydrogen, CO₂, NH₃ and others. Therefore these compressors are ideal for such applications as high pressure fuel gas supply to gas turbines, low temperature freezing systems on CO₂ with a defrost cycle, ammonia heat pumps, etc.

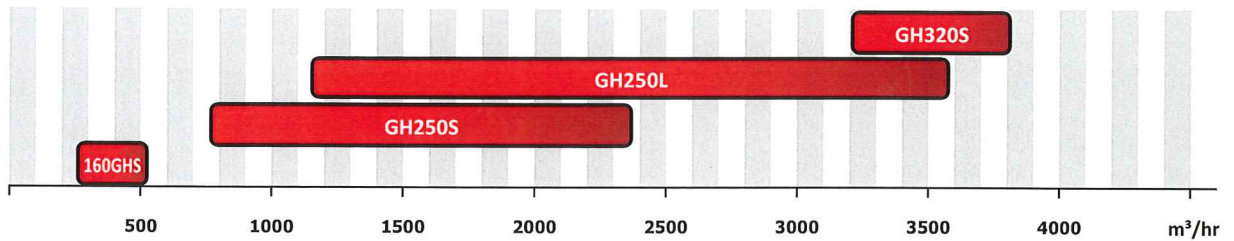
In the GH-series compressors we are using forged steel for the rotors and tilting pads for the thrust bearings¹⁾, which results in longer maintenance intervals and, consequently, lower running costs. The GH-series compressors are compliant with API619, EN-378 ATEX, NACE and other standards and are being successfully applied in a great number of fields.

1) Excluded 160GHS



UNIT TYPE	WEIGHT (kg)	WIDTH (mm)	LENGTH (mm)	HEIGHT (mm)
160GHS	570	510	1021	510
GH250S	2250	785	1568	680
GH250L	2410	785	1711	680
GH320S	5000	1095	1938	970

opt Volume
V_{th}



Item		Unit	Description			
Model			160GHS-V	GH250S	GH250L	GH320S
Handling Gas			CO ₂ , NH ₃	CO ₂ , NH ₃ , Hydrocarbon, Helium, Hydrogen and other gases		
Design Running Condition	Suction Pressure	MPaG	0,55	1,0	3,0	3,0
	Discharge Pressure	MPaG	4,5	5,0	3,7	5,0
	Minimum Suction Gas Temperature	degC	-55	30		
	Maximum Discharge Gas Temperature	degC	100degC for setting rotor clearance			
Design Condition	Design Pressure of Casing	MPaG	6,0			
	"Maximum Allowable Working Pressure"	MPaG	5.0 *1	5,0		
	"Maximum Allowable Suction Pressure"	MPaG	2.0 (start up: 2.5)	2,0	2,0	3,0
	Minimum Allowable Suction Pressure	MPaG	0,5			
	Minimum Pressure Differential Between Suction and Discharge	MPa	0,9	1,2		0,5
	Maximum Allowable Discharge Temperature	deg °C	100			
	Maximum Drive Shaft Speed	rpm	3600	4500	4500	3600
	Minimum Drive Shaft Speed	rpm	1800	1450	1450	2950
Compressor Data	Rotor Profile	-	MYCOM Original			
	Numbre of lobes / Male Rotor	-	5			
	Numbre of lobes / Female Rotor	-	7			
	Vi Control Range	-	1.8, 4.6	2.3, 3.3, 4.5	1,3	1.3, 2.3, 3.3, 4.5

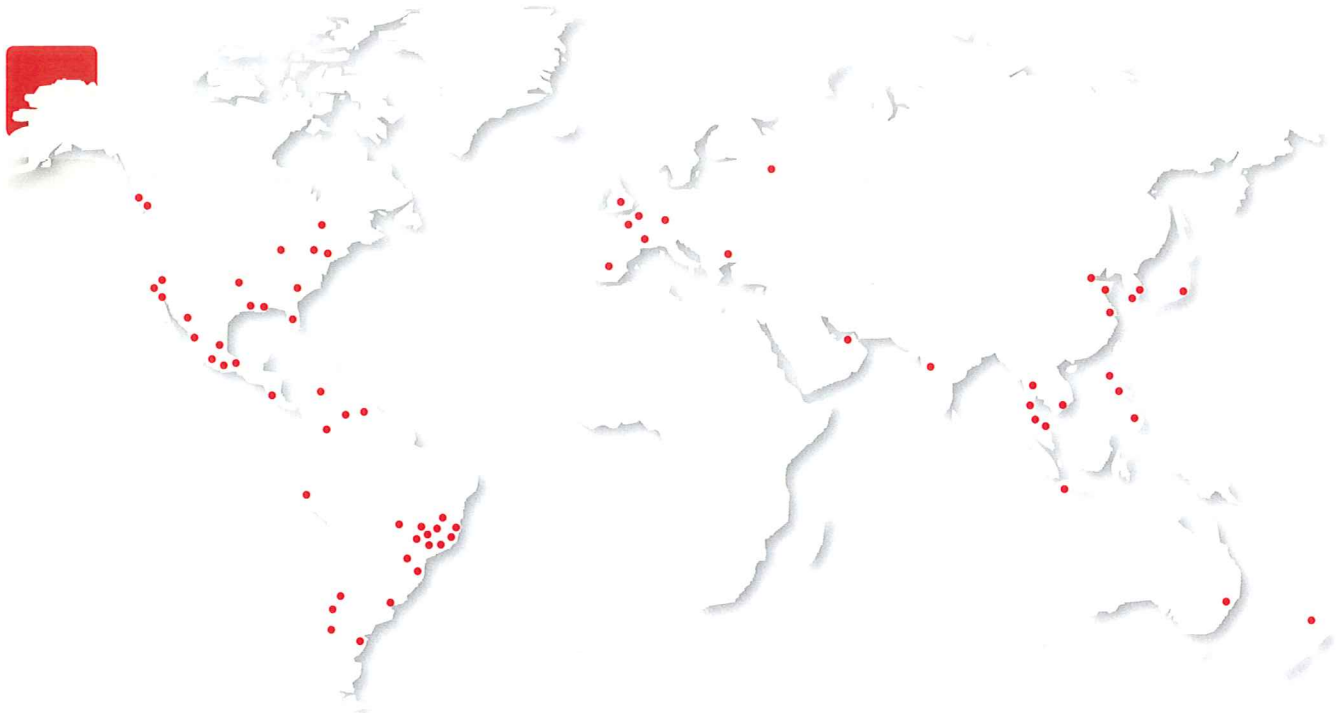
*1: Up to 4.0 MPa is allowed for 20% of total operating hours

MAYEKAWA

MYCOM

WORLDWIDE

- 33 countries / 119 offices
- 8 production plants



MAYEKAWA Europe Organization

SWITZERLAND

Rosenbergstrasse 31,
CH - 6300, Zug
Tel. +41 41 726 8626
Fax +41 41 726 8620
<http://www.mayekawa.ch/>
E-mail info@mayekawa.ch

SPAIN

Calle Montevideo 5,
Nave 13 POL.
Industrial Campoporoso
28806 Alcala de Henares, Madrid
Tel. +34 91 830 0392
Fax +34 91 830 0397
<http://www.mayekawa.es/>
E-mail mayekawa@mayekawa.es

RUSSIA

House 3, Flat 54, Mytnaya
St., Moscow, 119049
Tel. +7 499 230 01 76
Fax +7 499 230 21 12
<http://www.mayekawa.ru/>
E-mail info@mayekawa.ru

GERMANY

Gabriele-Münter Strasse 3,
82110 Germering
Tel. +49 89 5527 989 0
Fax +49 89 5527 989 19
E-mail info@mayekawa.de

FRANCE

9, Rue Michael Faraday,
78180 Montigny-Le-Bretonneux,
Tel. +33 1 30 58 2600
Fax +33 1 30 58 1937
<http://www.mayekawa.fr/>
E-mail mycom-france@mayekawa.eu

UNITED KINGDOM

16 Oakhurst Gardens,
Bexleyheath, Kent DA7 5JP
Tel. +44 1322 433558
Fax +44 1322 433164

BULGARIA

94, Hristo Botev Str.1202 Sofia
Tel. +359 2 8910130
Fax +359 2 8910131

DUBAI

P.O.Box.61349, LOB. 11. No.126,
Jebel Ali Free Zone, Dubai, U.A.E
Tel. +971 4 887 2232
Fax +971 4 887 2238

INDIA

1st Floor, Balaji House,
Nr. Mahalaxmi Heights,
Mumbai-Pune Road, Pimpri,
Pune-411 018
Maharashtra, India
Tel. +91 20 2746 4537
Fax +91 20 2746 4539

AUSTRALIA

Unit 2,44 McCauley
Street Matraville NSW 2036 Australia
Tel. +61 2 9695 7000
Fax +61 2 9695 7001
E-mail mycomaus@mayekawa.com.au

NEW ZEALAND

30 Tui Street Othahuhu PO. Box 12106
Auckland New Zealand
Tel. +64 9 276 2305
Fax +64 9 276 2306
E-mail mycom@ihug.co.nz

JAPAN HEAD OFFICE

3-14-15 Botan Koto-ku,
Tokyo 135-8482, JAPAN
Tel. (81)-3-3642-8181
Fax (81)-3-3643-7094
E-mail e-public@mayekawa.co.jp

MAYEKAWA Europe nv/sa

Leuvensesteenweg 605
1930 Zaventem - Belgium
Tel. +32 2 757 90 75
Fax +32 2 757 90 23
URL <http://www.mayekawa.eu>
E-mail info@mayekawa.eu

Global web site

<http://www.mayekawa.com/>